



SUZUKI
MARINE

Parts Book
DT 140 (83-85)

PREFACE

When it becomes necessary to replace parts on SUZUKI OUTBOARD MOTORS, always use SUZUKI GENUINE PARTS which have passed a strict inspection which guarantees quality and performance.

This parts catalogue covers the list of all service parts for SUZUKI DT140TC QD, DT140TC VE and DT140TC VF.

INSTRUCTIONS FOR QUOTING THE CATALOGUE

1. DIMENSIONS

Dimensions of the parts in this catalogue are indicated in unit millimeters.

2. ABBREVIATIONS

Abbreviations used in this catalogue are as follows:

AR	: As required	NT	: Number of teeth
ASSY	: Assembly	OPT	: Optional
E.No.	: Engine number	OS	: Over size
F.No.	: Frame number	STD	: Standard
d	: Diameter of material	T	: Thickness
ID	: Inside diameter	US	: Under size
OD	: Outside diameter	W	: Width
L	: Length	S,L,UL,LL	: Transom type

~301234 : Up to F.No.14002-301234

301234~ : From F.No.14002-301234

$\frac{12}{\text{ID}} \times \frac{34}{\text{OD}} \times \frac{5.6}{\text{T(or W,L)}}$ Figures in the description column show the dimensions of parts.

ID OD T(or W,L)

3. INNER PARTS OF ASSEMBLY

Parts number that have a period (.) mark in front of the part description on a text page are separately serviced parts of the assembly.

4. MODIFICATION NOTICE

A parts bulletin will be sent to you on all occasions when changes in parts occur, including interchangeable modifications between new parts and old ones.

5. NOTE

5-1. There are some different parts from those of production models among spare parts for the administrative reasons and common use of them with other models.

5-2. In respect of rubber hoses and vinyl tubes, please be sure to use them by cutting off according to the length mentioned on parts catalogue or what is actually required on the vehicle.

5-3. Note that the drawings on the illustration page are for ready reference of spare parts number, not to be used as an assembly manual. When assembling, use "SUZUKI SERVICE MANUAL".

6. ON ISSUE TO NEW SPARE PARTS CATALOGUE

This parts catalogue was arranged to include modifications as of Aug., 1984. Once each year new parts catalogue will be issued, containing, of course, all prior modifications. Upon receipt of each new issue the old catalogue should be destroyed.

7. ENGINE NUMBER

DT140 TC QD : 14002-300001~305081

DT140 TC VE : 14002-405082~406620

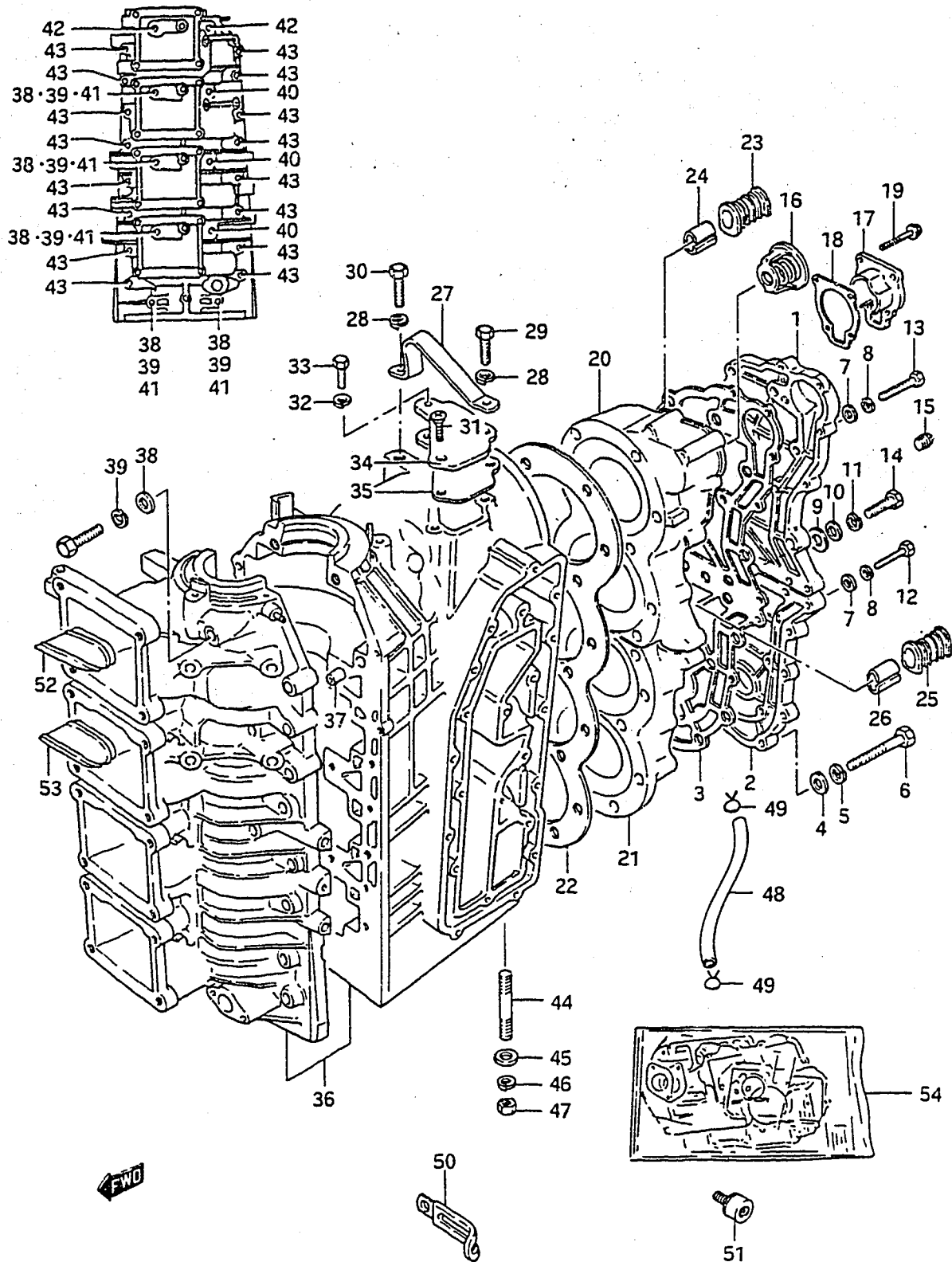
DT140 TC VF : 14002-506621~

FIG.1

FIG.1 (B- 2) CRANKCASE

Q'TY

REMARKS



REF.NO.	PART NO.	DESCRIPTION	Q'TY	REMARKS
1-1	11151-94502-02M	COVER, cylinder head upper	1	model QD/VE
1-2	11151-94610-02M	COVER, cylinder head upper	1	model VF
2-1	11161-94501-02M	COVER, cylinder head lower	1	model QD/VE
2-2	11161-94600-02M	COVER, cylinder head lower	1	model VF
3-1	11162-94502	GASKET, cover	1	model QD
3-2	11162-94503	GASKET, cover	1	model VE
3-3	11162-94600	GASKET, cover	1	model VF
4	08322-11107	WASHER	20	
5	08321-21107	LOCK WASHER	20	
6	01107-10858	BOLT	20	
7-1	08322-21067	WASHER	8	model QD/VE
7-2	08322-21067	WASHER	5	model VF
8-1	08321-21067	LOCK WASHER	8	model QD/VE
8-2	08321-21067	LOCK WASHER	5	model VF
9	09160-08010	WASHER	2	model QD/VE
10	08322-11088	WASHER	2	model VF
11	08321-21088	LOCK WASHER	2	
12-1	01107-06308	BOLT	6	model QD/VE
12-2	01107-06308	BOLT	5	model VF
13	09100-06033	BOLT	2	model QD/VE
14	01107-08808	BOLT	2	
15	09246-04003	PLUG	1	model VF
16-1	17670-94502	THERMOSTAT (50°C)	1	-304849
16-2	17670-94510	THERMOSTAT (50°C)	1	304850~
17	17681-94600-02M	COVER, thermostat	1	model VF
18	17685-94600	GASKET	1	model VF
19	09103-06096	BOLT	4	model VF
20-1	11111-94513-02M	CYLINDER HEAD, upper	1	-304800
20-2	11111-94514-02M	CYLINDER HEAD, upper	1	304801~304983
20-3	11111-94516-02M	CYLINDER HEAD, upper	1	304984~305081
20-4	11111-94517-02M	CYLINDER HEAD, upper	1	model VE
20-5	11111-94610-02M	CYLINDER HEAD, upper	1	model VF
21	11121-94512-02M	CYLINDER HEAD, lower	1	
22	11141-94506	GASKET	1	
23	11181-94500	CONNECTOR, head	1	
24	11182-94500	INSERTER	1	

FIG. 1

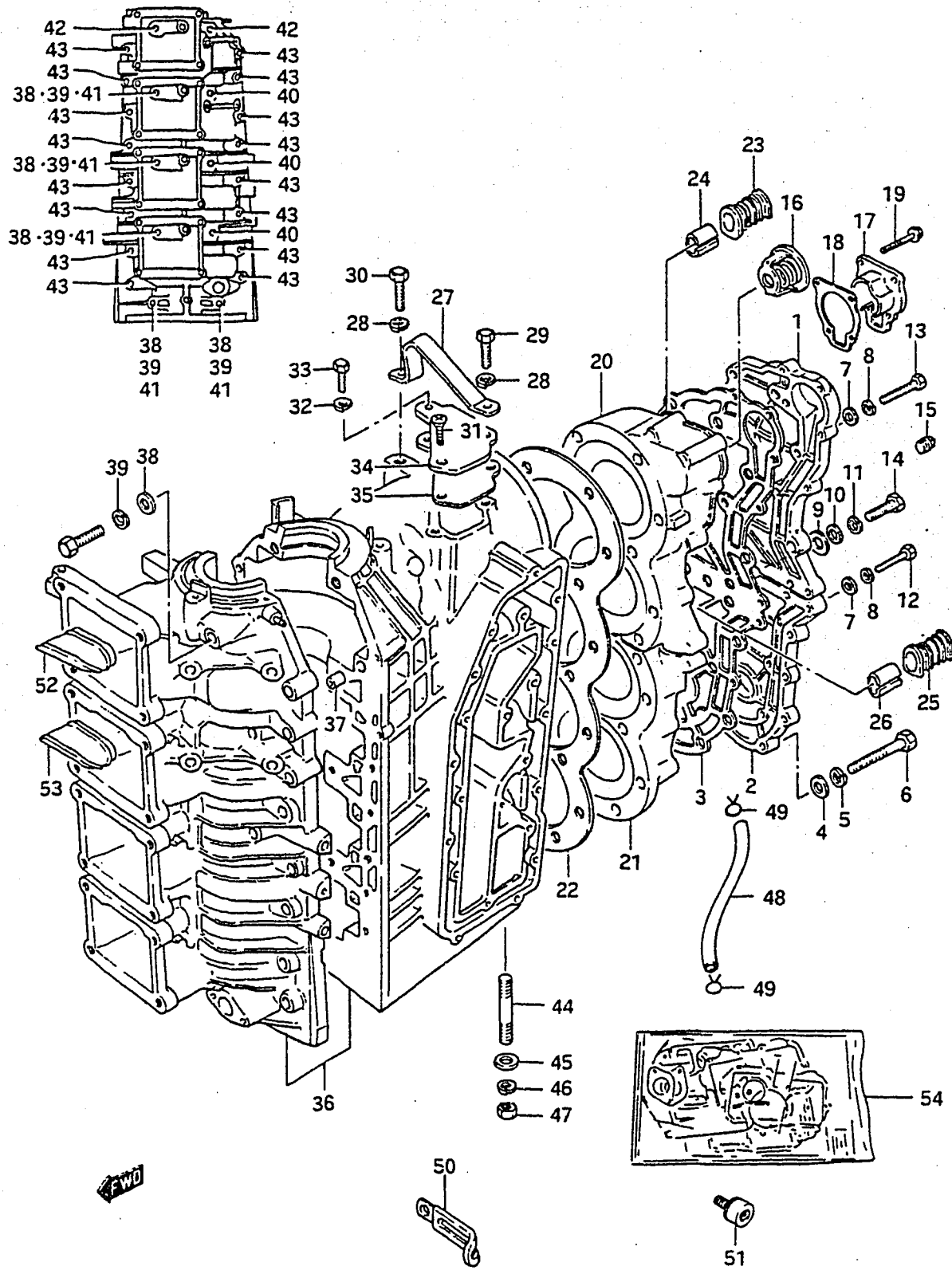


FIG.1 (B- 3) CRANKCASE

REF.NO.	PART NO.	DESCRIPTION	Q'TY	REMARKS
25	11171-94500	CONNECTOR, head	1	
26	11172-94500	INSERTER	1	
27	11291-94501	HOOK, engine rear	1	
28	08321-21088	LOCK WASHER	2	
29	01107-08208	BOLT	1	
30	01107-08258	BOLT	1	
31	02132-06208	SCREW	1	
32	08321-21067	LOCK WASHER	1	
33	01107-06207	BOLT	1	
34	11218-94503	COVER, water jacket	1	
35	11219-94503	GASKET, cover	1	
36-1	11300-94504-02M	CYLINDER/CRANKCASE ASSY	1	-305081
36-2	11300-94506-02M	CYLINDER/CRANKCASE ASSY	1	405082-
37	09206-11001	.PIN	2	
38	08322-11107	.WASHER	10	
39	08321-21107	.LOCK WASHER	10	
40	01107-10558	.BOLT	3	
41	01107-10708	.BOLT	5	
42	01107-10808	.BOLT	2	
43	01517-08408	.BOLT	16	
44	09108-10026	.STUD BOLT	2	
45	08322-11107	WASHER	2	
46	09162-10005	LOCK WASHER	2	
47	09140-10031	NUT	2	
48-1	09343-03051	HOSE, inspection (L:330→180)	1	-305081
48-2	09343-05044	HOSE, inspection (L:1425→180)	1	405082~405549
48-3	09343-05137	HOSE, inspection (L:500→135)	1	405550-
49-1	09401-06403	CLIP	2	-305081
49-2	09401-10405	CLIP	2	405082~405549
49-3	09401-09402	CLIP	2	405550-
50	09404-06401	CLAMP, oil hose	1	
51	55320-93142	ZINC, cylinder	1	
52	11315-94501	PLUG, crank case	3	model VF
53	11316-94501	PLUG, crank case	1	model VF
54	11400-94842	GASKET SET	1	OPT

FIG.2

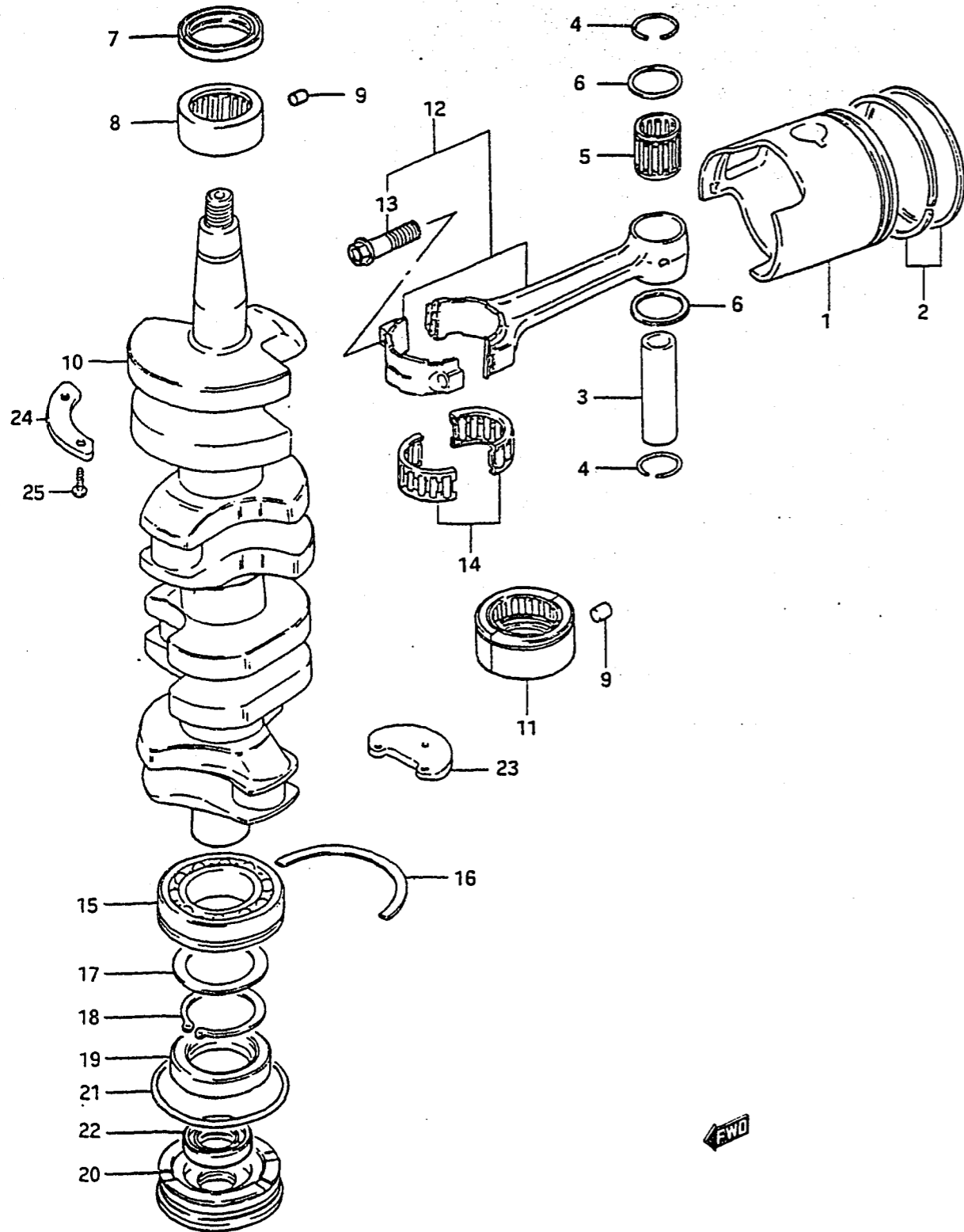


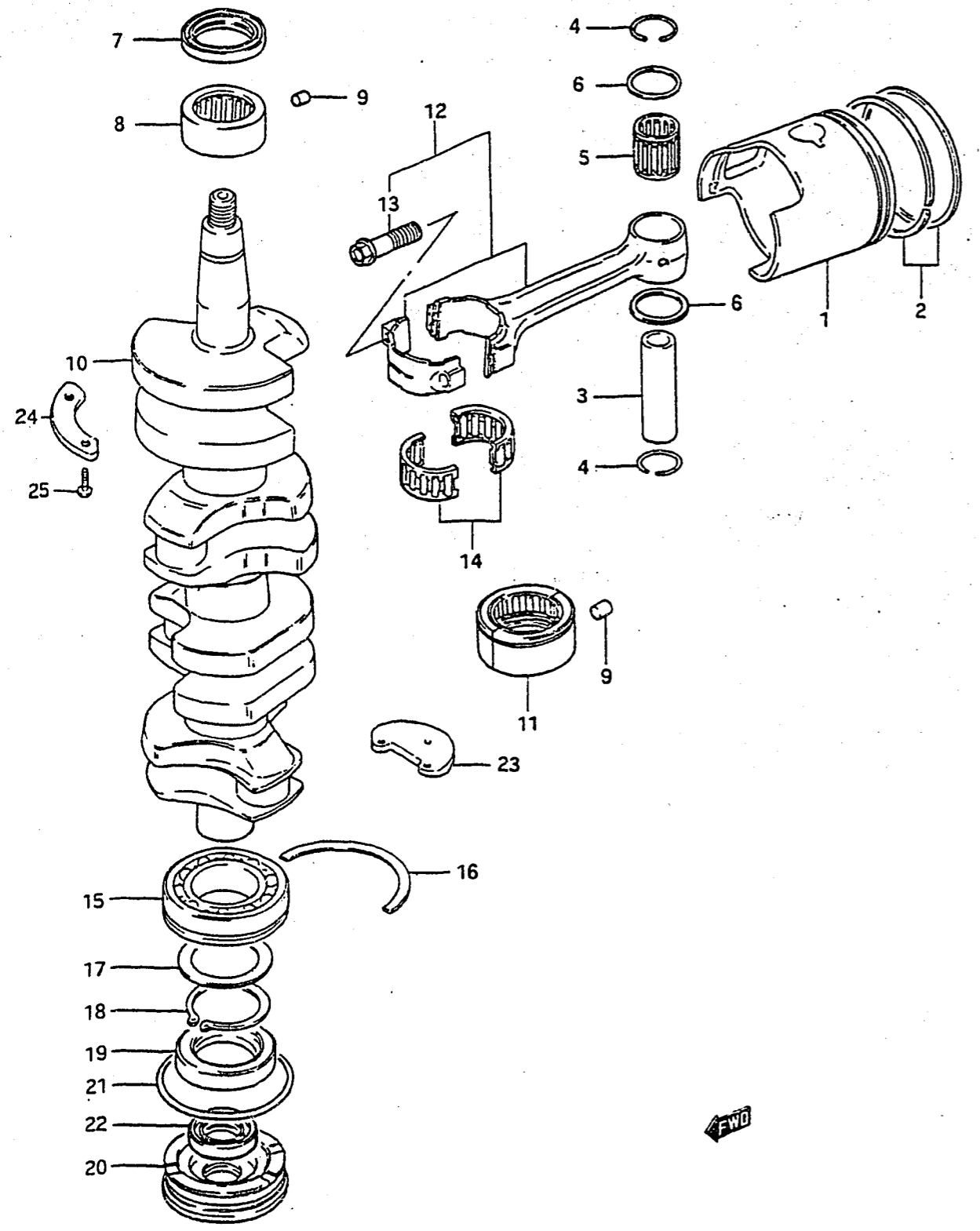
FIG.2 (B- 4) CRANKSHAFT

REF.NO.	PART NO.	DESCRIPTION	Q'TY	REMARKS
1-1	12110-94511	PISTON	4	STD,-304856
1-2	12110-94512	PISTON	4	STD,304857-407169
1-3	12110-94513	PISTON	4	STD,507170-
1-4	12110-94511-025	PISTON (OS:0.25)	4	OPT,-304856
1-5	12110-94512-025	PISTON (OS:0.25)	4	OPT,304857-407169
1-6	12110-94513-025	PISTON (OS:0.25)	4	OPT,507170-
1-7	12110-94511-050	PISTON (OS:0.5)	4	OPT,-304856
1-8	12110-94512-050	PISTON (OS:0.5)	4	OPT,304857-407169
1-9	12110-94513-050	PISTON (OS:0.5)	4	OPT,507170-
2-1	12140-95310	RING SET, piston	4	STD,-304849
2-2	12140-95311	RING SET, piston	4	STD,304850-
2-3	12140-95310-025	RING SET, piston (OS:0.25)	4	OPT,-304849
2-4	12140-95311-025	RING SET, piston (OS:0.25)	4	OPT,304850-
2-5	12140-95310-050	RING SET, piston (OS:0.5)	4	OPT,-304849
2-6	12140-95311-050	RING SET, piston (OS:0.5)	4	OPT,304850-
3	12151-94501	PIN, piston	4	
4	09381-22002	CIRCLIP	8	
5	09263-22030	BEARING, piston pin	4	
6	08211-22361	WASHER	8	
7	09283-40008	OIL SEAL, upper	1	
8	09263-40003	BEARING, upper	1	
9	04221-04089	DOWEL PIN	4	
10	12220-94508	CRANKSHAFT	1	
11	09269-40002	BEARING, middle	3	
12-1	12160-94509	ROD ASSY, connecting	4	-305081
12-2	12160-94510	ROD ASSY, connecting	4	405082-
13	09119-08045	.BOLT, rod	8	
14-1	09263-35012	BEARING, crank pin	4	-303811
14-2	09263-35016	BEARING, crank pin	4	303812-
15	09262-40003	BEARING, lower	1	
16	09390-80002	C RING	1	
17	09160-40004	WASHER (40x55x1.5)	1	
18	08331-31409	CIRCLIP	1	
19	09283-40006	OIL SEAL, lower	1	

FIG.2 (B- 5) CRANKSHAFT

REF.NO.	PART NO.	DESCRIPTION	Q'TY	REMARKS
20	11431-94502	HOUSING, oil seal	1	
21	09280-70006	O RING	1	
22	09282-24002	OIL SEAL, driveshaft upper	1	
23	12271-94501	BALANCE WEIGHT, lower	1	
24	12272-94500	BALANCE WEIGHT, upper	1	
25	02122-06258	SCREW	2	

FIG.2



← FWD

FIG.3

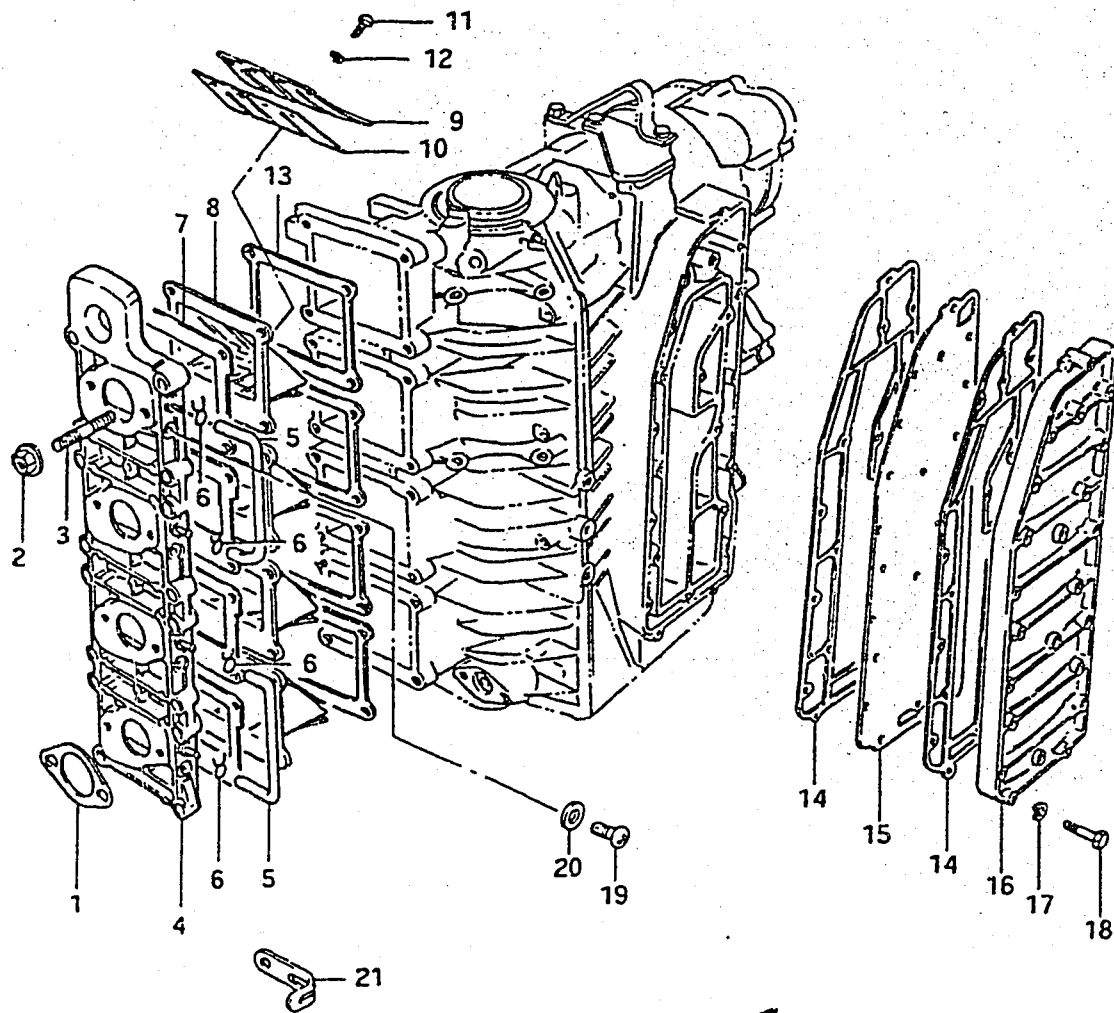


FIG.3 (B- 6) INLET - EXHAUST COVER

REF.NO.	PART NO.	DESCRIPTION	Q'TY	REMARKS
1	13125-95200	GASKET	4	
2	08316-16088	NUT	16	
3	01421-08358	STUD BOLT	16	
4-1	13110-94513	CASE, inlet	1	model QD
4-2	13110-94514	CASE, inlet	1	model VE/VF
5	09343-03051	HOSE, inlet case	2	L:330~140
6	09401-06403	CLIP, hose	4	
7	13127-94500	GASKET, inlet case	4	
8-1	13150-94500	VALVE ASSY, reed	4	-304925
8-2	13150-94501	VALVE ASSY, reed	4	304926~406620
8-3	13150-94510	VALVE ASSY, reed	4	506621~
9	13152-94501	.STOPPER	16	
10-1	13153-94500	.VALVE, reed	16	-406620
10-2	13153-94510	.VALVE, reed	16	506621~
11	02112-03087	.SCREW	32	
12	08321-21038	.LOCK WASHER	32	
13	13156-94500	GASKET, reed valve	4	
14	14151-94500	GASKET, exhaust cover	2	
15	14131-94503	PLATE, exhaust	1	
16	14141-94500-02M	COVER, exhaust	1	
17-1	08321-21067	LOCK WASHER	20	model QD/VE
17-2	08321-21067	LOCK WASHER	23	model VF
18-1	09100-06033	BOLT	20	model QD
18-2	01107-06358	BOLT	20	model VE
18-3	01107-06358	BOLT	23	model VF
19	09125-06020	SCREW	1	model QD
20	09168-06009	GASKET	1	model QD
21-1	09404-08401	CLAMP	1	model QD
21-2	09404-08201	CLAMP	1	model VE/VF

FIG.4

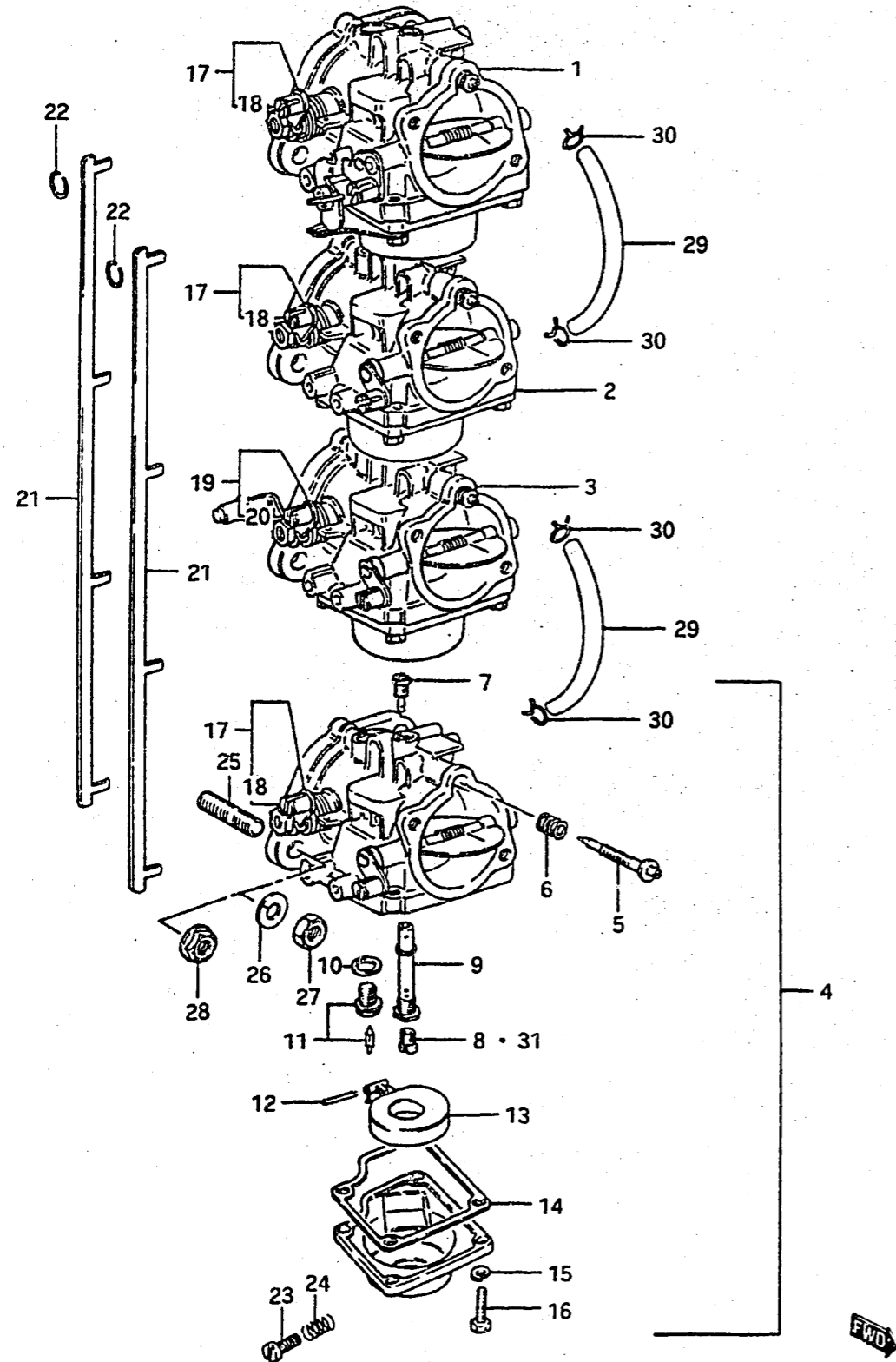
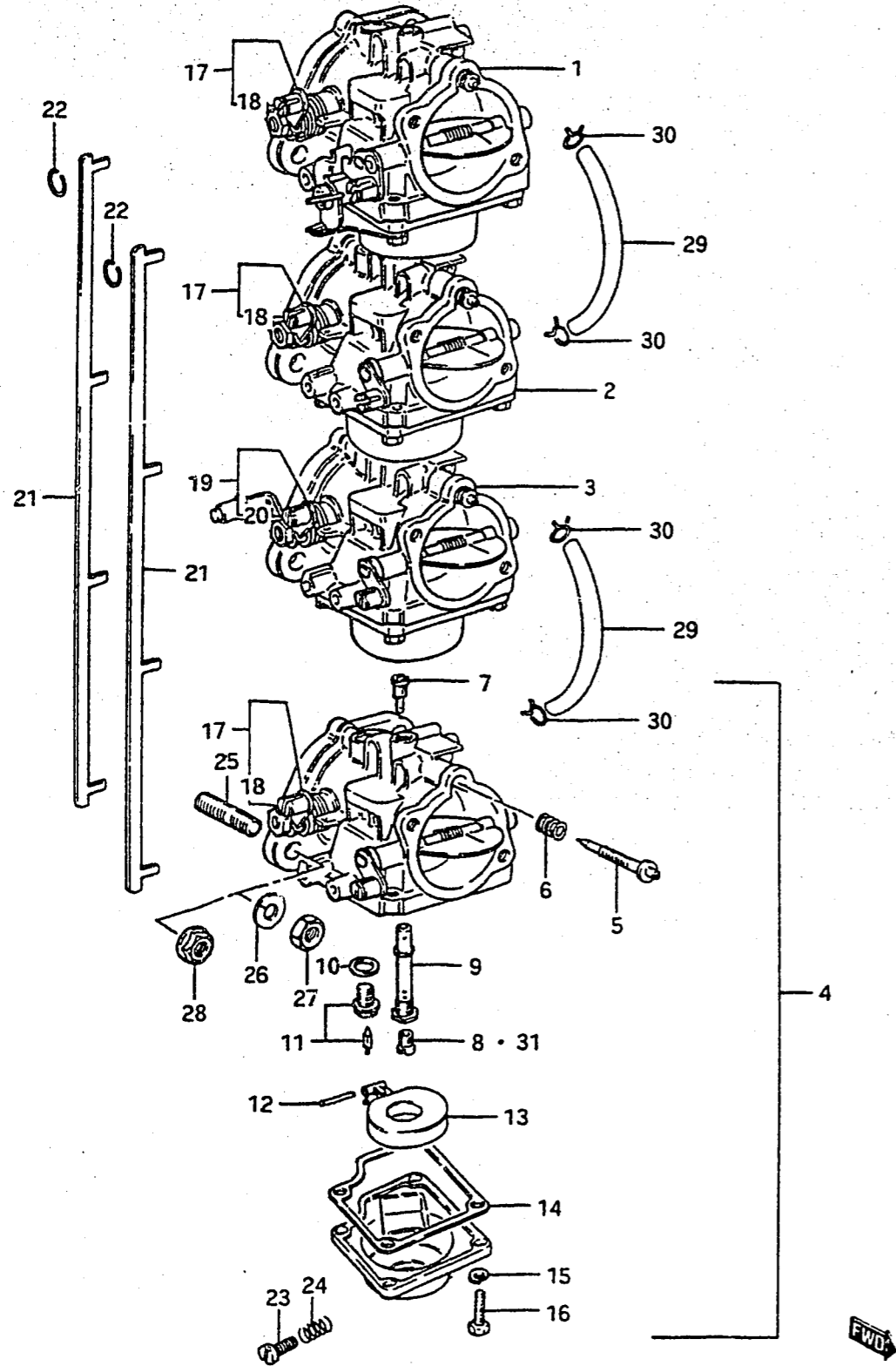


FIG.4 (B- 7) CARBURETOR

REF.NO.	PART NO.	DESCRIPTION	Q'TY	REMARKS
1	13201-94511	CARBURETOR, top	1	
2-1	13202-94511	CARBURETOR, 2nd	1	~507738
2-2	13202-94512	CARBURETOR, 2nd	1	507739~
3	13203-94511	CARBURETOR, 3rd	1	
4-1	13204-94511	CARBURETOR, 4th	1	~507738
4-2	13204-94512	CARBURETOR, 4th	1	507739~
5	13269-95210	.ADJUSTOR	4	
6	13271-93311	.SPRING	4	
7	09492-80003	.PILOT JET (80)	4	
8	09491-32006	.MAIN JET (160)	4	
9	13235-95210	.NOZZLE	4	
10	13392-58600	.GASKET, valve seat	4	
11	13370-28110	.VALVE, needle	4	
12	13254-93010	.PIN	4	
13	13250-93012	.FLOAT	4	
14	13251-95210	.GASKET	4	
15	09162-05002	.LOCK WASHER	16	
16	13611-95212	.BOLT	16	
17	13513-94511	.LEVER, throttle	3	
18	13542-94500	..CONNECTOR	6	
19	13511-94510	.LEVER, throttle	1	
20	13542-94500	..CONNECTOR	2	
21	13541-94510	.PLATE	2	
22	13579-98100	.CIRCLIP	8	
23	13616-94500	.BOLT, drain	4	
24	13617-94500	.SPRING	4	

FIG.4

FIG.4 (B- 8) CARBURETOR



REF.NO.	PART NO.	DESCRIPTION	Q'TY	REMARKS
25	01411-08208	STUD BOLT	8	
26	08321-21088	LOCK WASHER	8	
27	08310-22088	NUT	8	
28	08316-16088	NUT	8	
29	09343-05137	HOSE, fuel	2	L:500→135
30	09401-09402	CLIP, fuel hose	4	
31-1	09491-33004	MAIN JET (165)	4	OPT
31-2	09491-31003	MAIN JET (155)	4	OPT
31-3	09491-30008	MAIN JET (150)	4	OPT

FIG.5

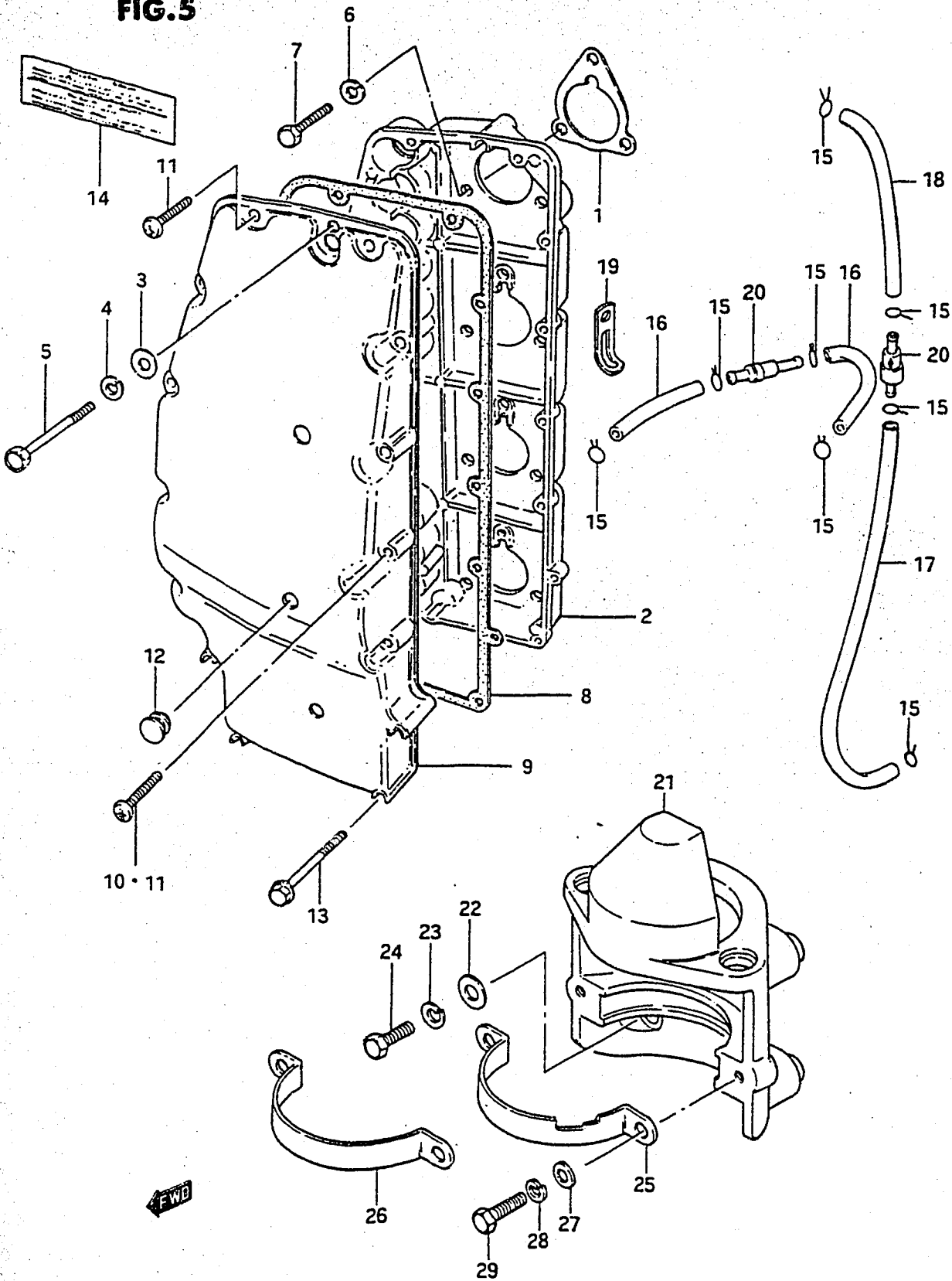


FIG.5 (8- 9) SILENCER - MOTOR BRACKET

REF.NO.	PART NO.	DESCRIPTION	Q'TY	REMARKS
1	13855-95200	GASKET, silencer	4	
2-1	13811-94512	CASE, silencer	1	~405322
2-2	13811-94513	CASE, silencer	1	405323-
3	08322-21067	WASHER	1	
4	08321-21067	LOCK WASHER	1	
5	09100-06037	BOLT (6x65)	1	
6-1	08321-21067	LOCK WASHER	11	model QD/VE
6-2	08321-21067	LOCK WASHER	8	model VF
7-1	01107-06168	BOLT	11	model QD/VE
7-2	01107-06168	BOLT	8	model VF
8	13853-94500	GASKET, silencer cover	1	
9-1	13812-94513	COVER, silencer	1	model QD/VE
9-2	13812-94514	COVER, silencer	1	model VF
10	02152-05202	SCREW	4	
11	02152-05352	SCREW	6	
12-1	09250-10010	PLUG	4	model QD/VE
12-2	09250-15010	PLUG	4	model VF
13	01514-05458	BOLT	4	
14	61458-95203	MARK, safety warning	1	model QD
15	09401-06403	CLIP	4	
16	09343-03051	HOSE (lubrication / silencer)	2	model QD
17	09343-03039	HOSE, lubrication	1	model VE/VF,L:400
18	09343-03051	HOSE, lubrication	1	model VE/VF,L:330+120
19	09404-08401	CLAMP, lubrication hose	1	
20	16710-95200	CHECK VALVE	1	
21	31911-94514-02M	BRACKET, starting motor	1	
22	08322-11088	WASHER	4	
23	08321-21088	LOCK WASHER	4	
24	01107-08258	BOLT	4	
25	31912-94511	BAND, starter	1	model QD/VE
26	31912-94600	BAND, starter	1	model VF
27	08322-11088	WASHER	2	model QD
28	08321-21088	LOCK WASHER	2	
29	01107-08258	BOLT	2	

FIG.6

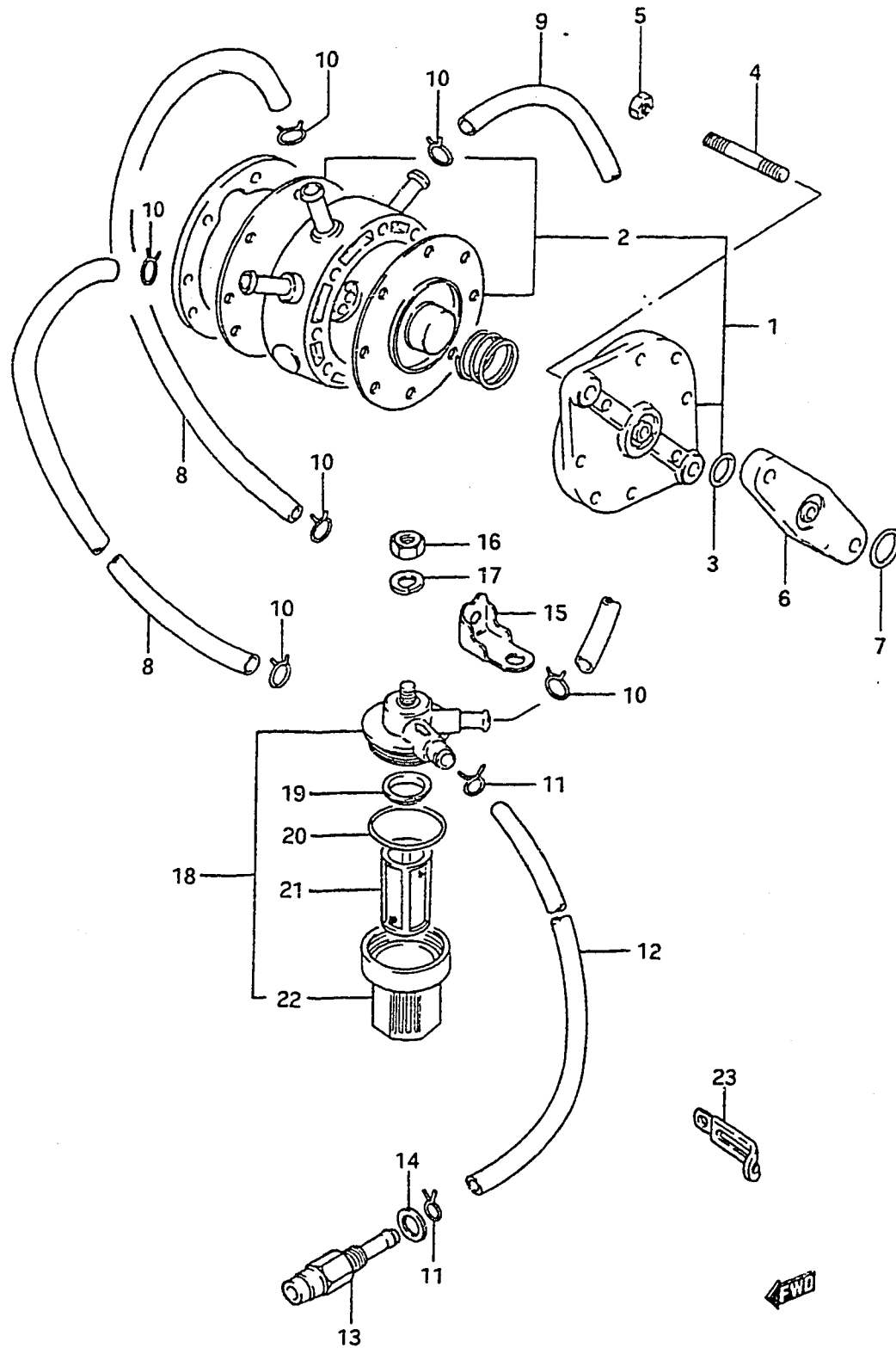


FIG.6 (C- 2) FUEL PUMP

REF.NO.	PART NO.	DESCRIPTION	Q'TY	REMARKS
1	15100-94502	PUMP ASSY, fuel	1	
2	15170-95501	.DIAPHRAGM SET	1	
3	15165-93010	.O RING	1	
4	01421-06308	STUD BOLT	2	
5	08316-16067	NUT	2	
6	15322-93000	INSULATOR	1	
7	09280-12005	O RING	1	
8	09343-07053	HOSE, fuel (pump/carburator)	2	L:655→470
9	09343-07053	HOSE, fuel (filter/pump)	1	L:655→110
10	09401-11402	CLIP	6	
11	09401-11402	CLIP	2	
12	09343-07050	HOSE, fuel (connector/filter)	1	L:810→235
13	65720-95511	CONNECTOR, male fuel	1	OD:13
14	09161-12004	WASHER	1	
15	15421-94500-02M	BRACKET, fuel filter	1	
16	08310-22088	NUT	1	
17	08321-21088	LOCK WASHER	1	
18	15410-95510	FILTER, fuel	1	
19	15416-93400	.PACKING	1	
20	15415-93400	.O RING	1	
21	15412-93400	.STRAINER	1	
22	15413-93400	.CUP	1	
23	09404-06201	CLAMP	1	

FIG.7

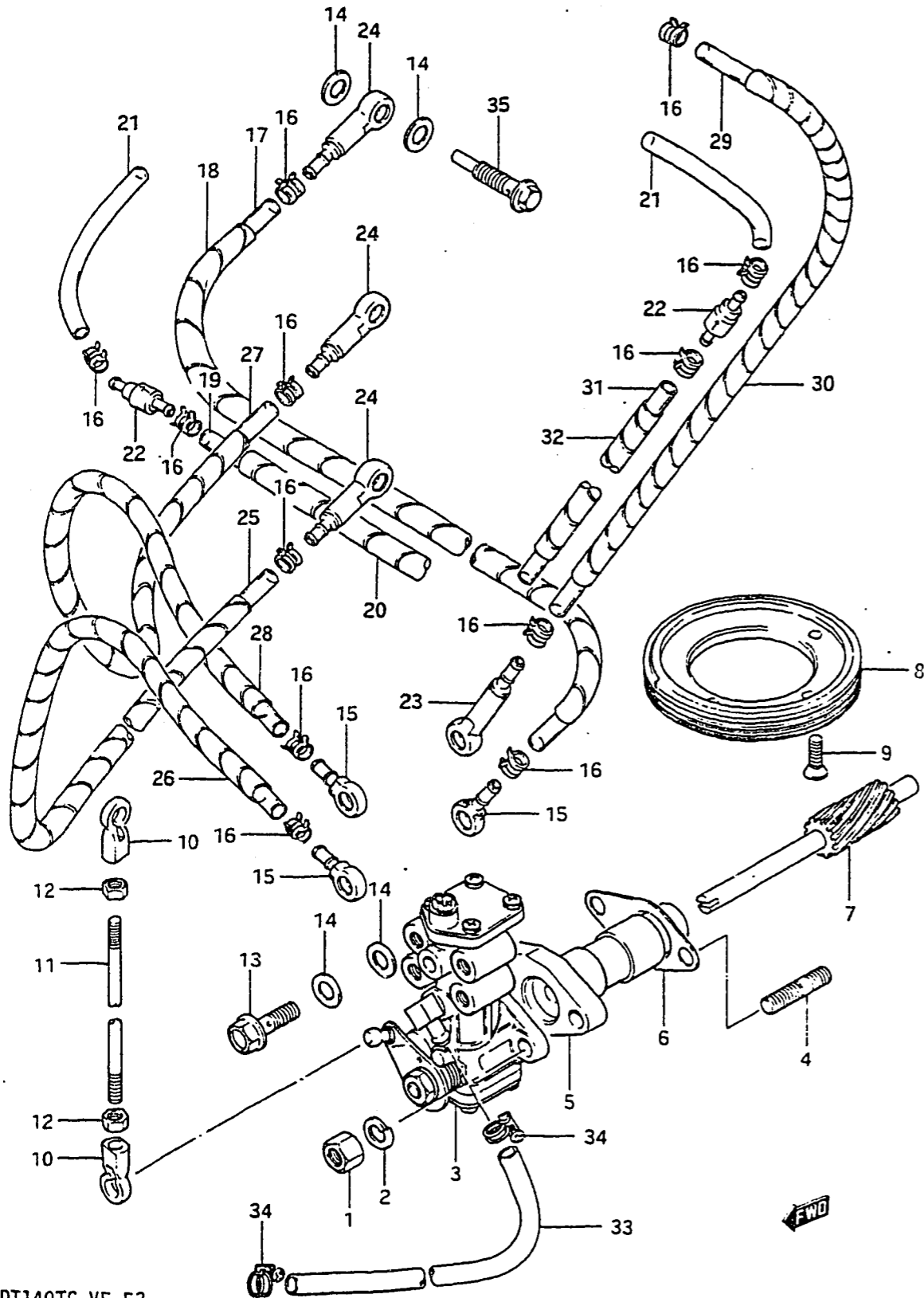


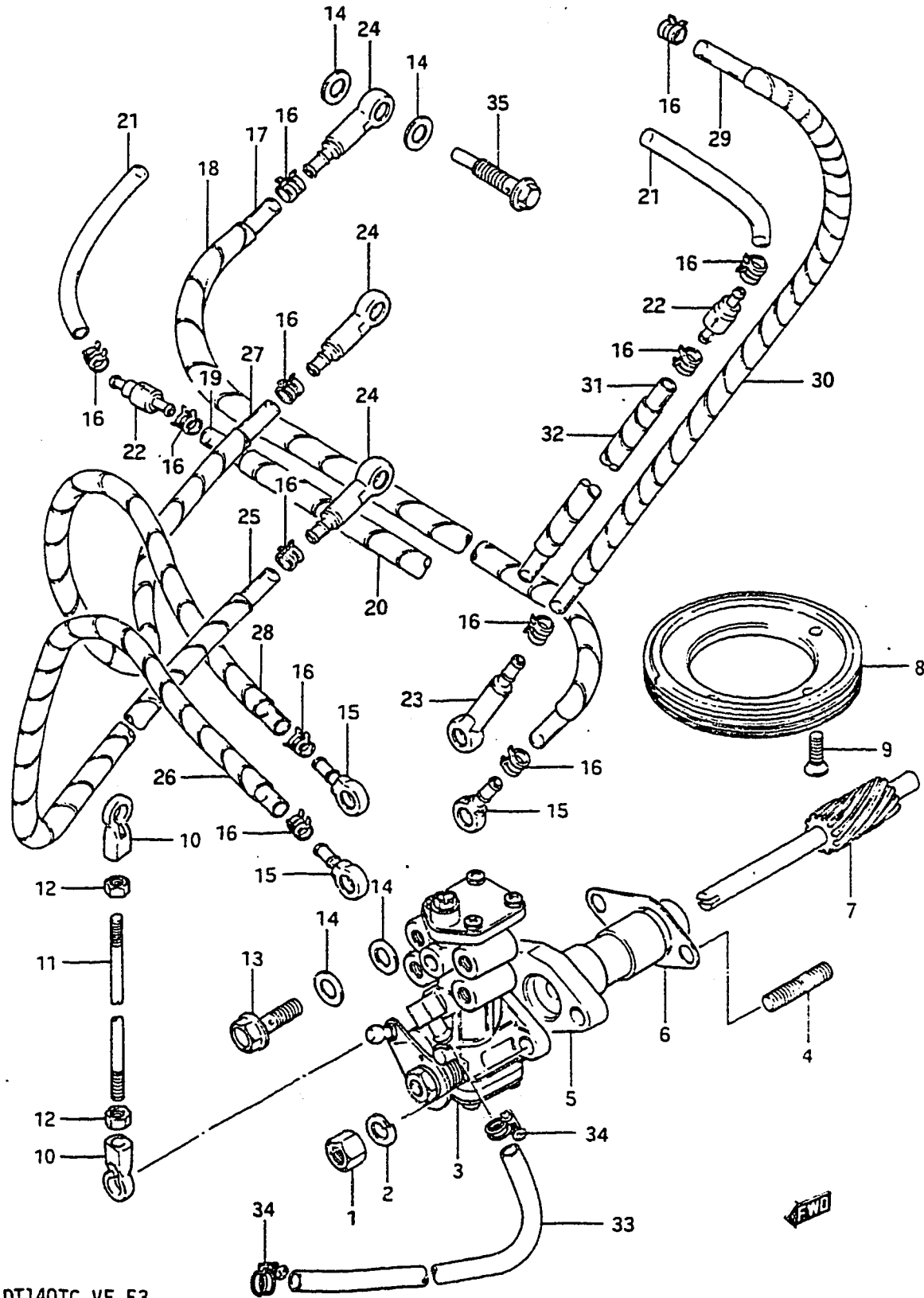
FIG.7 (C-3) OIL PUMP (MODEL QD)

Q'TY

REF.NO.	PART NO.	DESCRIPTION	Q'TY	REMARKS
1	09140-06013	NUT	2	
2	09162-06001	LOCK WASHER	2	
3	16100-94506	PUMP, oil	1	
4	01421-06308	STUD BOLT	2	
5	16340-94501	RETAINER, driven gear	1	
6	16731-95500	GASKET	1	
7	16331-94500	GEAR, driven	1	
8	16321-94501	GEAR, drive	1	
9	02122-06308	SCREW	3	
10	19131-95502	CONNECTOR	2	
11	16411-94502	ROD, control	1	
12	09140-C5001	NUT	2	
13	09360-06012	BOLT, union	4	
14	09168-06009	GASKET (6.5x12x1.4)	14	
15	09363-02002	UNION, outlet	3	
16-1	09401-06405	CLIP	8	~304637
16-2	09401-06405	CLIP	12	304638-
17	09344-02013	HOSE, outlet (2)	1	L:420→270,~304637
18	16911-94500	PROTECTOR (2)	1	L:390→240,~304637
19	09344-02013	HOSE, outlet (2)	1	L:420→210,304638-
20	16911-94500	PROTECTOR (2)	1	L:390→180,304638-
21	09344-02004	HOSE, outlet	2	L:50,304638-
22	16710-94520	CHECK VALVE	2	304638-
23	16710-94511	CHECK VALVE	1	
24	16710-94502	CHECK VALVE	3	

Refer to FIG.8 (C-5) for model VE/VF

FIG.7



DT140TC VF E3

FIG.7 (C- 4) OIL PUMP (MODEL QD)

REF.NO.	PART NO.	DESCRIPTION	Q'TY	REMARKS
25	09344-02013	HOSE, outlet (4)	1	L:420→320
26	16911-94500	PROTECTOR (4)	1	L:390→290
27	09344-02013	HOSE, outlet (3)	1	L:420→210
28	16911-94500	PROTECTOR (3)	1	L:390→180
29	09344-02013	HOSE, outlet (1)	1	L:420,-~304157
30	16911-94500	PROTECTOR (1)	1	L:390,-~304157
31	09344-02013	HOSE, outlet (1)	1	L:420→370,304158~
32	16911-94500	PROTECTOR (1)	1	L:390→340,304158~
33	09344-05014	HOSE, inlet	1	L:330
34	09400-10302	CLAMP, inlet hose	2	
35	09360-06009	BOLT, oil nozzle	3	

Refer to FIG.8 (C-5) for model VE/VF

DT140TC VF E3

FIG. 8

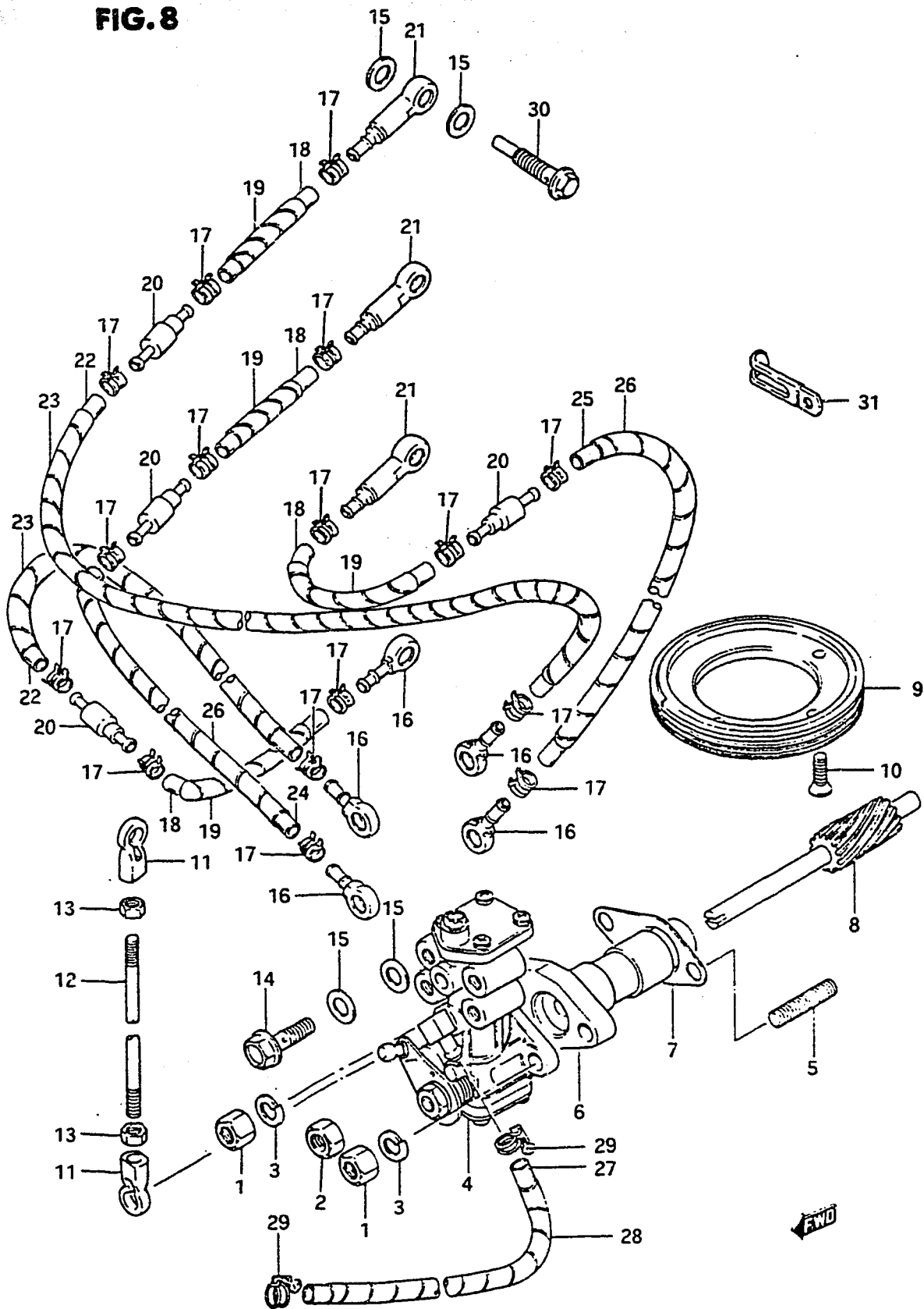


FIG. 8 (C- 5) OIL PUMP (MODEL VE/VF)

REF.NO.	PART NO.	DESCRIPTION	Q'TY	REMARKS
1-1	09140-06013	NUT	2	model VE
1-2	09140-06013	NUT	1	model VF
2	08310-11067	NUT	1	model VF
3	09162-06001	LOCK WASHER	2	
4-1	16100-94505	PUMP, oil	1	-406620
4-2	16100-94506	PUMP, oil	1	506621-
5	01421-06308	STUD BOLT	2	
6	16340-94501	RETAINER, driven gear	1	
7	16731-95500	GASKET	1	
8	16331-94500	GEAR, driven	1	
9	16321-94501	GEAR, drive	1	
10	02122-06308	SCREW	3	
11-1	19131-95501	CONNECTOR	2	model VE
11-2	19131-95502	CONNECTOR	2	model VF
12	16411-94502	ROD, control	1	
13	09140-05001	NUT	2	
14	09360-06012	BOLT, union	4	
15	09168-06023	GASKET (6.5x12x1.4)	16	
16	09363-02002	UNION, outlet	5	
17	09401-06405	CLIP	16	
18	09344-02004	HOSE, outlet	4	L:50
19	16911-94500	PROTECTOR	4	L:390→40
20	16710-94531	CHECK VALVE	4	
21	16710-94502	CHECK VALVE	3	
22	09344-02013	HOSE, outlet (1&4)	2	L:420→270
23	16911-94500	PROTECTOR (1&4)	2	L:390→240
24	09344-02013	HOSE, outlet (2)	1	L:420→160
25	09344-02013	HOSE, outlet (3)	2	L:420→175
26	16911-94500	PROTECTOR (2&3)	1	L:390→180
27	09344-05014	HOSE, inlet	1	L:450→330
28	16911-94500	PROTECTOR	1	L:390→290
29	09400-10302	CLAMP, inlet hose	2	
30-1	16715-94500	BOLT, oil nozzle	4	model VE
30-2	16715-94501	BOLT, oil nozzle	4	model VF
31	09404-08201	CLAMP	2	

FIG. 9

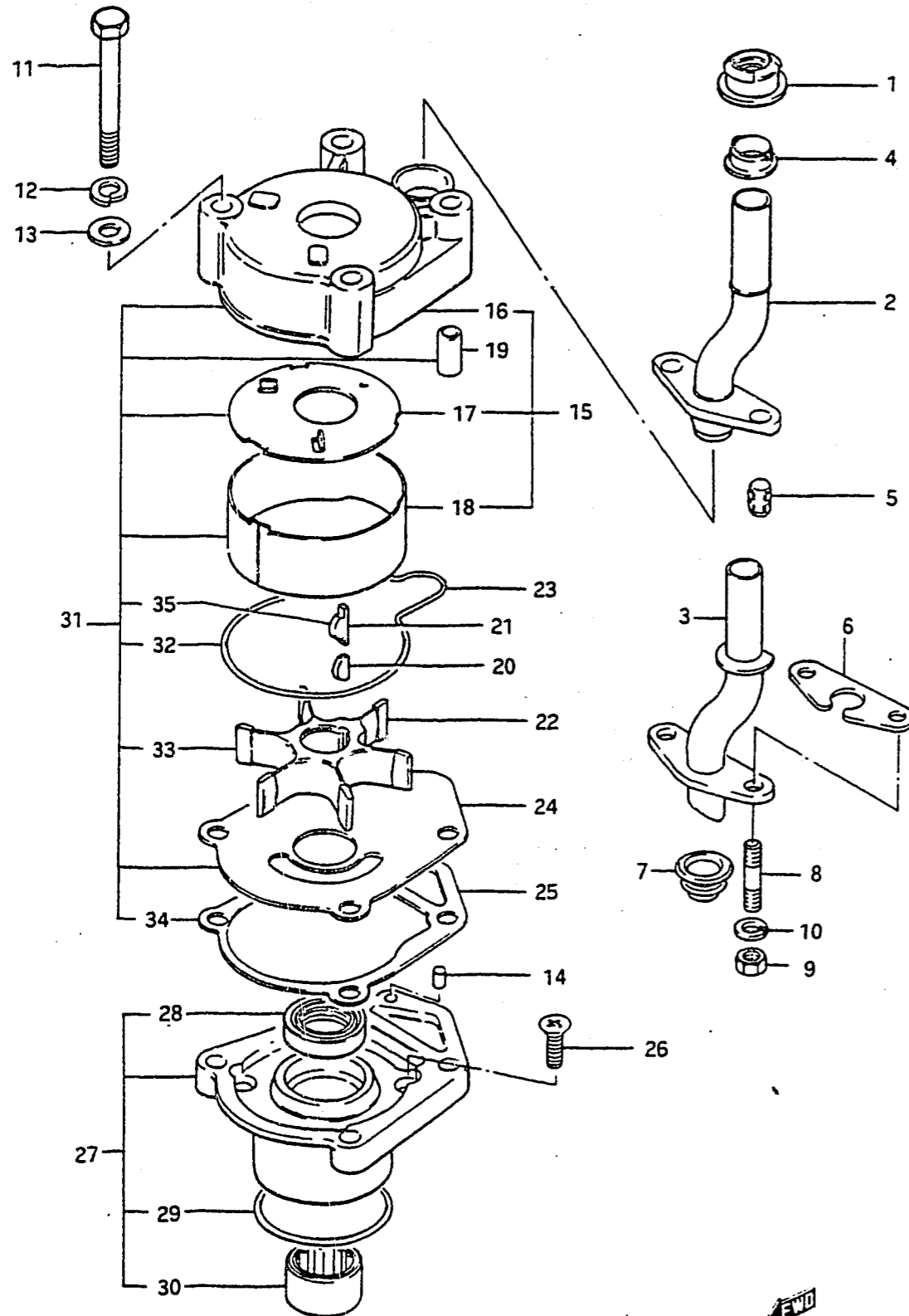


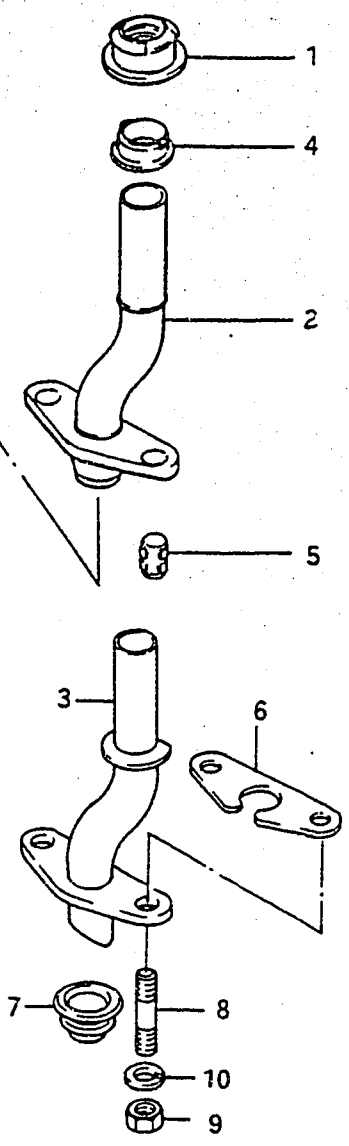
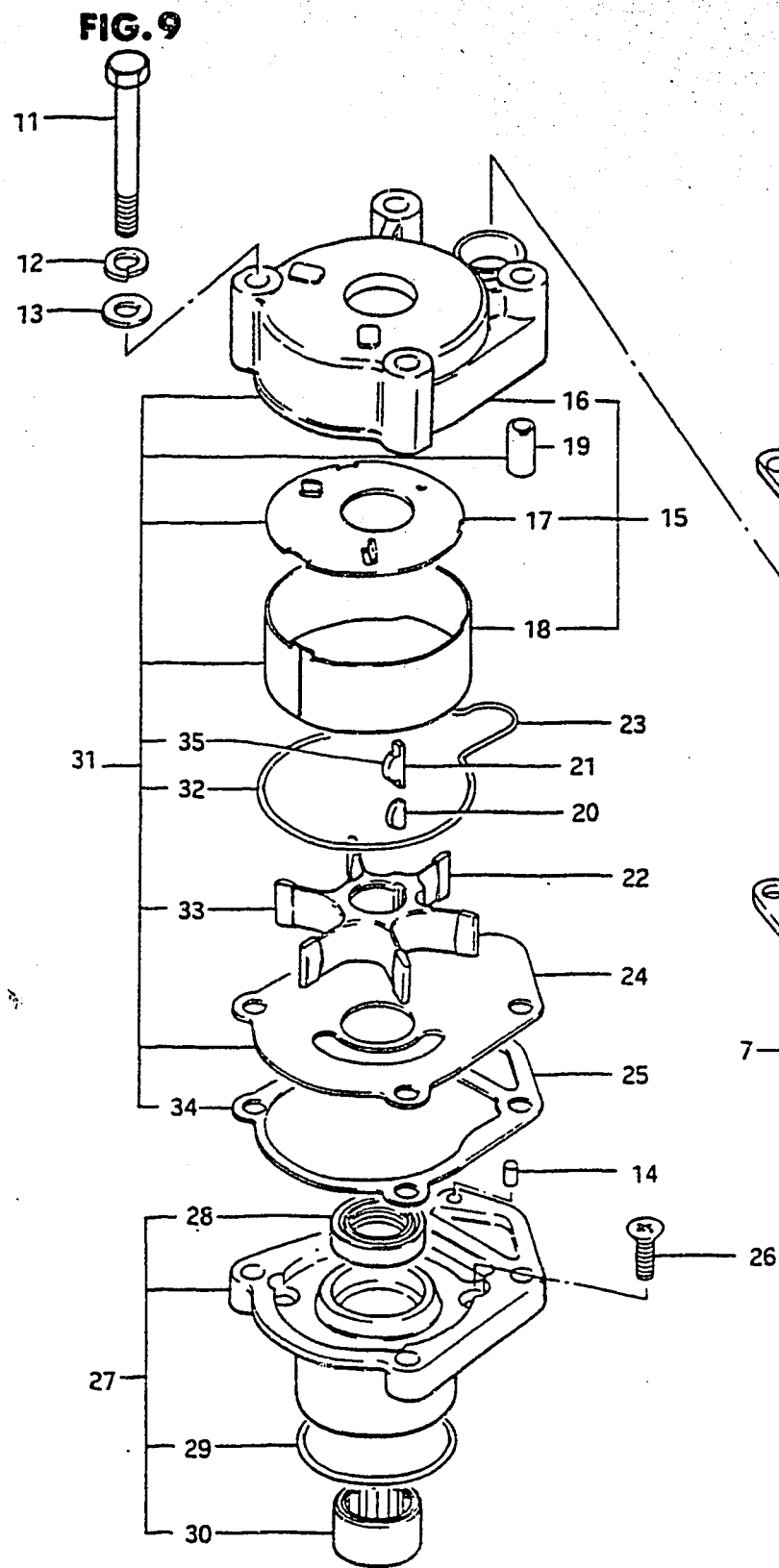
FIG. 9 (C- 6) WATER PUMP

REF.NO.	PART NO.	DESCRIPTION	Q'TY	REMARKS
1	17563-94501	BUSHING, upper	1	
2-1	17560-94502	TUBE, water (L)	1	-406441
2-2	17560-94511	TUBE, water (X)	1	-406441
3-1	17560-94520	TUBE, water (L)	1	406442-
3-2	17560-94530	TUBE, water (X)	1	406442-
4	09306-16002	BUSHING, guide	1	
5	09250-09004	CAP, tube plate	2	-406441
6	17567-94500	GASKET	1	406442-
7	09305-16004	BUSH	1	406442-
8	09108-06060	STUD BOLT	2	406442-
9	09140-06020	NUT	2	406442-
10	09162-06006	LOCK WASHER	2	406442-
11	09100-08169	BOLT	4	
12	09162-08007	LOCK WASHER	4	
13	09160-08059	WASHER (8.5x18x1.6)	4	
14	09202-04008	DOWEL PIN	1	
15-1	17410-94502	CASE, water pump	1	-405444
15-2	17410-94503	CASE, water pump	1	405445-406000
15-3	17410-94504	CASE, water pump	1	406001-
16-1	17411-94502	.CASE, water pump	1	-405444
16-2	17411-94503	.CASE, water pump	1	405445-
17	17412-94500	.PANEL, upper	1	
18	17413-94501	.SLEEVE, case	1	
19-1	09206-11008	.PIN	4	-405444
19-2	09206-11009	.PIN	4	405445-
20	09420-05004	KEY	1	-406000
21	09420-05005	KEY	1	406001-
22	17461-94504	IMPELLER	1	*SEE NOTE
23	17416-94500	SEAL RING	1	
24	17471-94501	PANEL, under	1	
25-1	17472-94500	GASKET, under panel	1	model QD
25-2	17472-94501	GASKET, under panel	1	model VE/VF
26-1	09126-06004	SCREW	4	model QD
26-2	09126-06006	SCREW	4	model VE/VF

* NGTE

When you use the Impeller (17461-94504) up to E.No.406000, Please be sure to use with the Key (09420-05005).

FIG.9 (C- 7) WATER PUMP



Q'TY

REMARKS

REF.NO.	PART NO.	DESCRIPTION	Q'TY	REMARKS
27-1	56130-94501	HOUSING, driveshaft bearing	1	model QD
27-2	56130-94502	HOUSING, driveshaft bearing	1	model VE/VF
28-1	09289-24001	.OIL SEAL (24x35x10)	1	model QD
28-2	09282-24003	.OIL SEAL (24x35x6)	2	model VE/VF
29	09280-55002	.O RING	1	
30	09263-26010	.BEARING (26x34x20)	1	
31	17400-94550	WATER PUMP REPAIR KIT	1	OPT
32	17416-94500	.SEAL RING	1	OPT
33	17461-94504	.IMPELLER	1	OPT
34	17472-94501	.GASKET	1	OPT
35	09420-05005	.KEY	1	OPT

FIG. 10

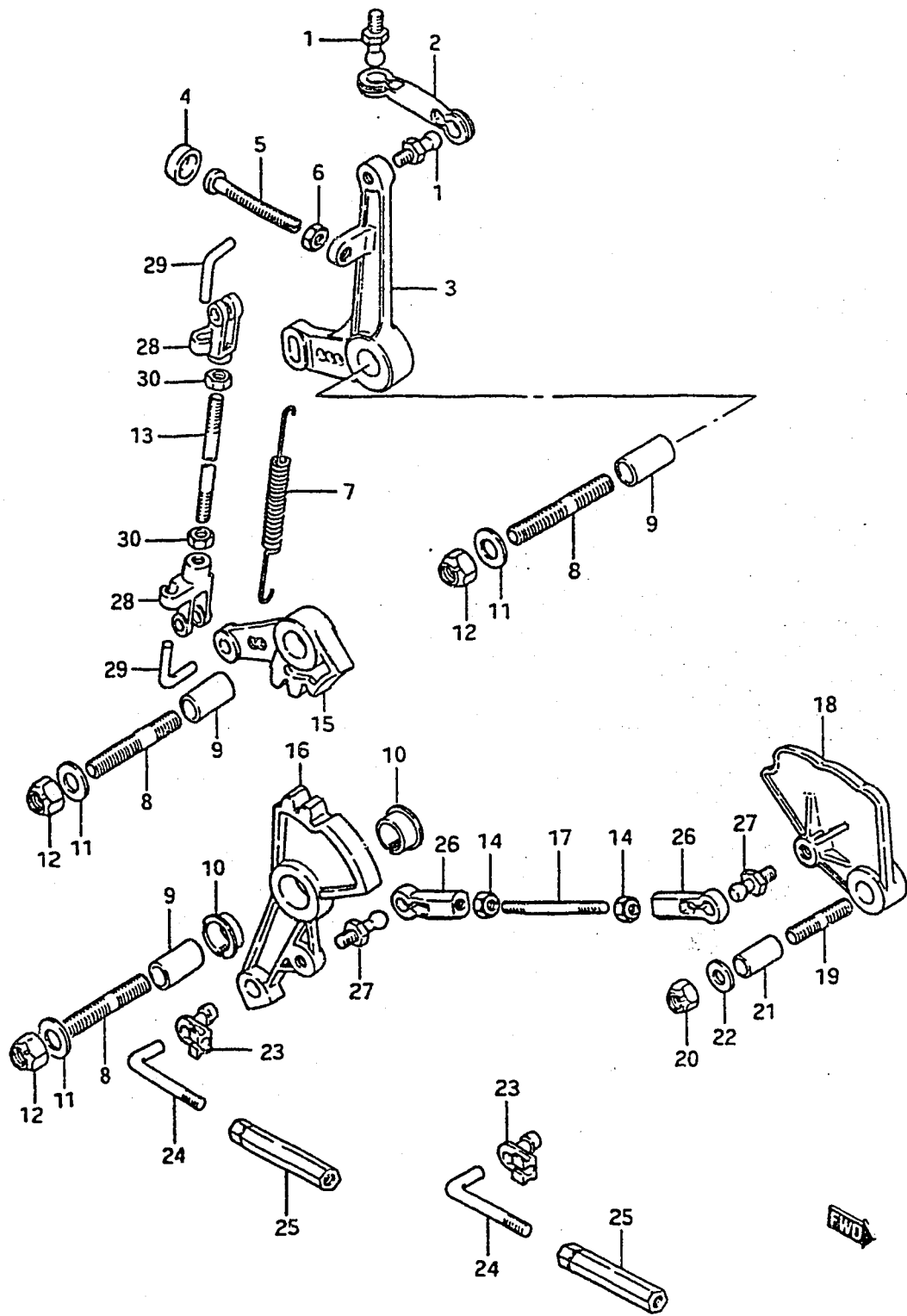


FIG.10 (C- 8) THROTTLE LINK

Q'TY

REF.NO.	PART NO.	DESCRIPTION	Q'TY	REMARKS
1	09119-05010	BALL PIVOT, spark advance	2	
2-1	19132-94500	CONNECTOR	1	model QD/VE
2-2	19132-94501	CONNECTOR	1	model VF
3	19211-94503	LEVER, spark advance	1	
4	09329-06002	CUSHION, screw	1	
5	09139-06015	SCREW	1	
6	09140-06004	NUT	1	
7	09443-09015	SPRING	1	
8	01421-08358	STUD BOLT	3	
9	09180-08095	SPACER (8.1x11x20.5)	3	
10	09301-11002	BUSHING, throttle lever	2	
11	09160-08055	WASHER	3	
12	09159-08018	NUT	3	
13	19136-94502	ROD, advance lever	1	
14	09140-05001	NUT	2	
15	19121-94504	LEVER, transmit	1	
16	19111-94502	LEVER, throttle control (M5)	1	
17	67413-98100	ROD, throttle cam	1	
18	19141-94512	CAM, throttle (M5)	1	
19	01421-06308	STUD BOLT	1	
20	09159-06015	NUT	1	
21	09180-06094	SPACER (6.1x9x15.5)	1	
22	09160-06062	WASHER (6.5x11.4x0.8)	1	
23	19131-94503	RETAINER, rod	2	
24	19137-94500	ROD, cable linkage	2	
25	09159-05011	TURNBUCKLE	2	
26-1	19131-95501	CONNECTOR, cam / lever	2	model QD/VE
26-2	19131-95502	CONNECTOR, cam / lever	2	model VF
27	09119-05010	BALL PIVOT (M5)	2	
28	19138-94500	CONNECTOR, lever / rod	2	
29	19139-94500	PIN	2	
30	09140-05001	NUT	2	

FIG. 11

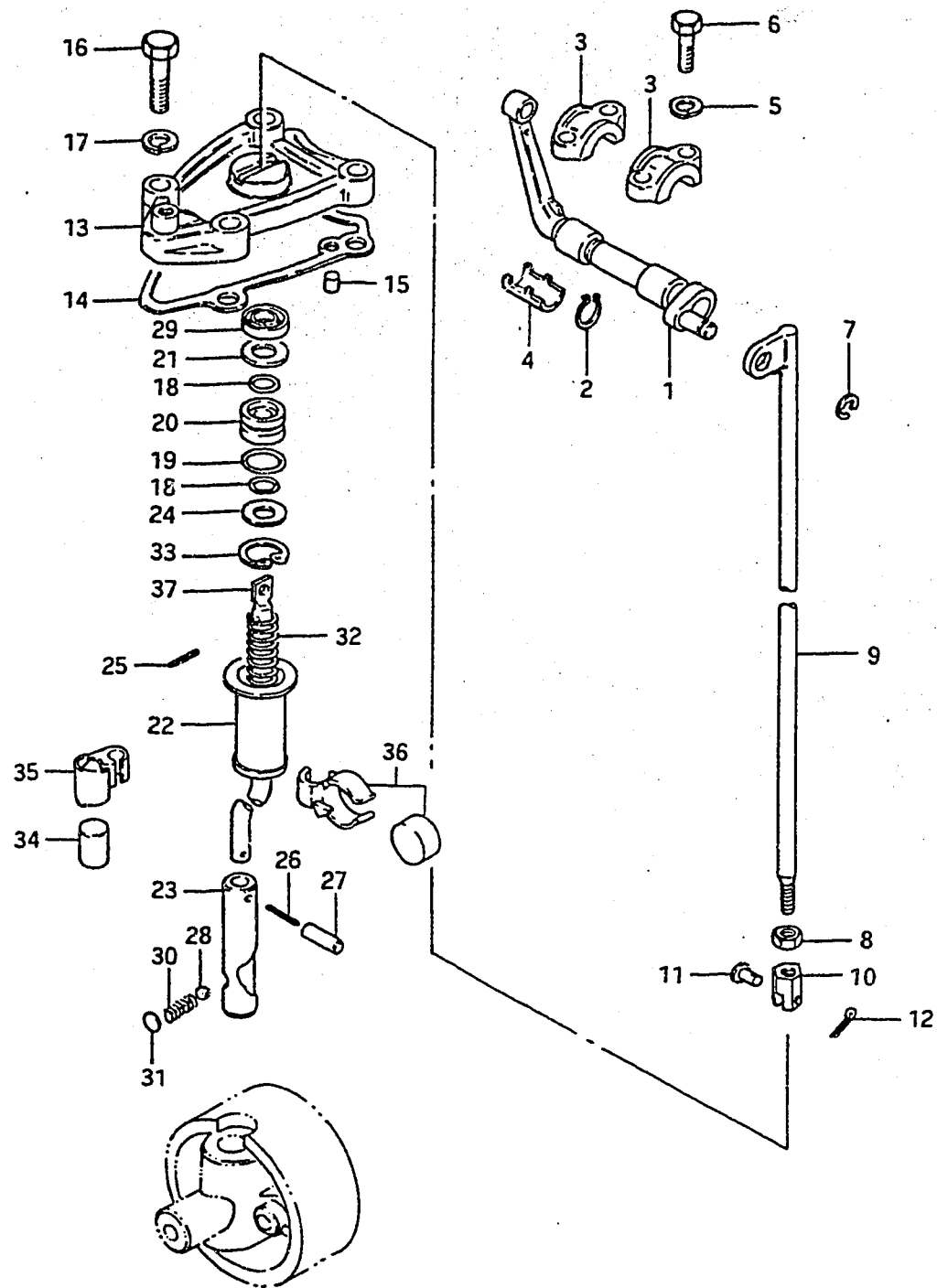
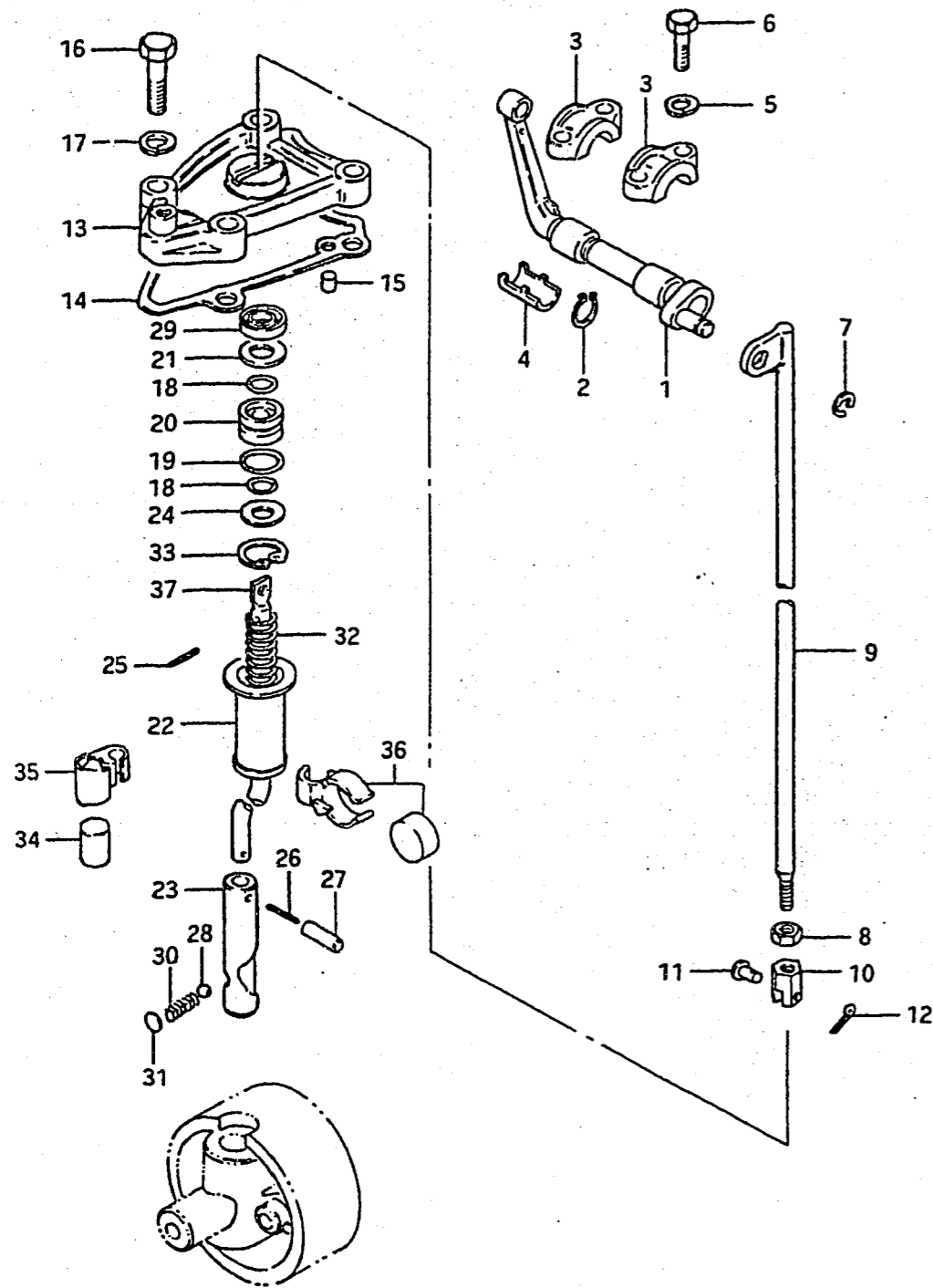


FIG. 11 (C- 9) CLUTCH

REF.NO.	PART NO.	DESCRIPTION	Q'TY	REMARKS
1-1	21220-94503	SHAFT, clutch shift	1	~405444
1-2	21210-94500	SHAFT, clutch shift	1	405445~
2	09380-12004	.CIRCLIP	1	
3-1	21311-94502	HOLDER, shaft	2	~405444
3-2	21311-94503	HOLDER, shaft	2	405445~
4	21312-94500	BUSH	2	405445~
5	09162-06001	LOCK WASHER	4	
6	09100-06089	BOLT (6x25)	4	
7	09383-08004	E RING	1	
8-1	09140-06020	NUT (M6)	1	L TYPE
8-2	09140-08012	NUT (M8)	1	X TYPE
9-1	23110-94502	ROD, clutch	1	L TYPE
9-2	23110-94510	ROD, clutch	1	X TYPE
10-1	23315-94503	CONNECTOR, clutch rod	1	L TYPE
10-2	23315-94510	CONNECTOR, clutch rod	1	X TYPE
11-1	23313-94501	PIN, connector	1	L TYPE
11-2	23313-94500	PIN, connector	1	X TYPE
12	09204-01001	COTTER PIN	1	
13	25141-94503	HOUSING, shift rod guide	1	
14	25142-94500	GASKET	1	
15-1	06211-05103	PIN	2	model QD
15-2	04221-05109	PIN	2	model VE/VF
16-1	09100-08163	BOLT (8x35)	4	model QD/VE
16-2	09100-08224	BOLT (8x35)	4	model VF
17	09162-08007	LOCK WASHER	4	
18	09280-08008	O RING, inner	2	
19	09280-15003	O RING, outer	1	
20	25211-94501	GUIDE, shift rod	1	
21	09160-09009	WASHER (9x19x1)	1	
22	25205-94501	COLLAR, shift rod spring	1	
23-1	25311-94501	CAM, clutch	1	model QD
23-2	25311-94510	CAM, clutch	1	model VE/VF

FIG. 11

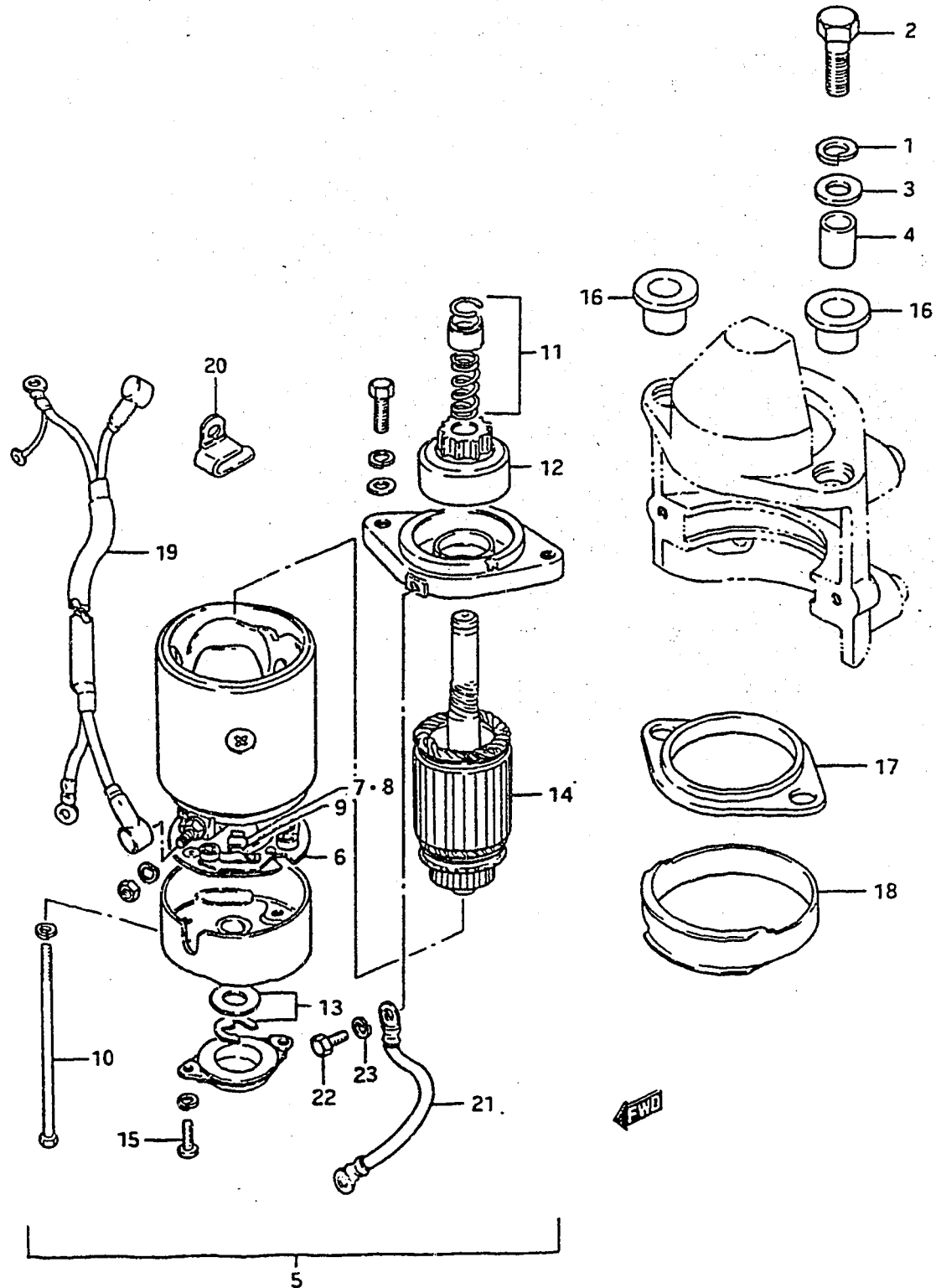


17

FIG.11 (C-10) CLUTCH

REF.NO.	PART NO.	DESCRIPTION	Q'TY	REMARKS
24	09160-09010	WASHER, lower	1	
25	09205-02004	PIN	1	
26	09205-02006	SPRING PIN	1	
27	09205-03021	SPRING PIN	1	
28-1	09260-10003	BALL, cam notch	1	model QD
28-2	09260-10005	BALL, cam notch	1	model VE/VF
29	09284-08003	DUST SEAL	1	
30	09440-07033	SPRING, cam notch	1	
31	21121-93300	PLATE, detent spring	0-1	
32	09440-12025	SPRING, shift rod	1	
33	08331-41309	CIRCLIP	1	
34	25232-95501	MAGNET	1	-304983
35	25231-95501	HOLDER, magnet	1	-304983
36	25230-94300	MAGNET SET	1	304984-
37-1	25111-94502	ROD, shift	1	L TYPE
37-2	25111-94510	ROD, shift	1	X TYPE

FIG. 12



18

FIG.12 (C-11) STARTING MOTOR (MODEL QD/VE)

REF.NO.	PART NO.	DESCRIPTION	Q'TY	REMARKS
1	08321-21088	LOCK WASHER	2	
2	01107-08358	BOLT	2	
3	09160-08062	WASHER	2	
4	09180-08097	SPACER	2	
5-1	31100-94511	MOTOR ASSY, starting	1	model QD
5-2	31100-94512	MOTOR ASSY, starting	1	model VE
6-1	31173-94510	.HOLDER ASSY, motor brush	1	model QD
6-2	31173-94511	.HOLDER ASSY, motor brush	1	model VE
7	31131-94510	..BRUSH (+)	2	
8	31132-94510	..BRUSH (-)	1	
9	31135-95240	..SPRING, brush	3	
10	31281-94510	.THROUGH BOLT	2	
11	31312-94500	.STOPPER SET, pinion	1	
12	31320-94510	.PINION ASSY	1	
13-1	31361-95240	.WASHER KIT	1	model QD
13-2	31361-94510	.WASHER KIT	1	model VE
14	31311-94511	.ARMATURE	1	
15	02112-04128	.SCREW	2	
16	31916-94500	DAMPER, upper	2	
17	31917-94500	DAMPER, middle	1	
18	31918-94500	DAMPER, lower	1	
19	33840-94520	CABLE, starter sub	1	
20	33841-94501	CLAMP	1	
21	33850-94501	CABLE, grand	1	
22	01107-08167	BOLT	1	
23	08321-21088	LOCK WASHER	1	

Refer to FIG.13 (C-12) for model VF

FIG. 13

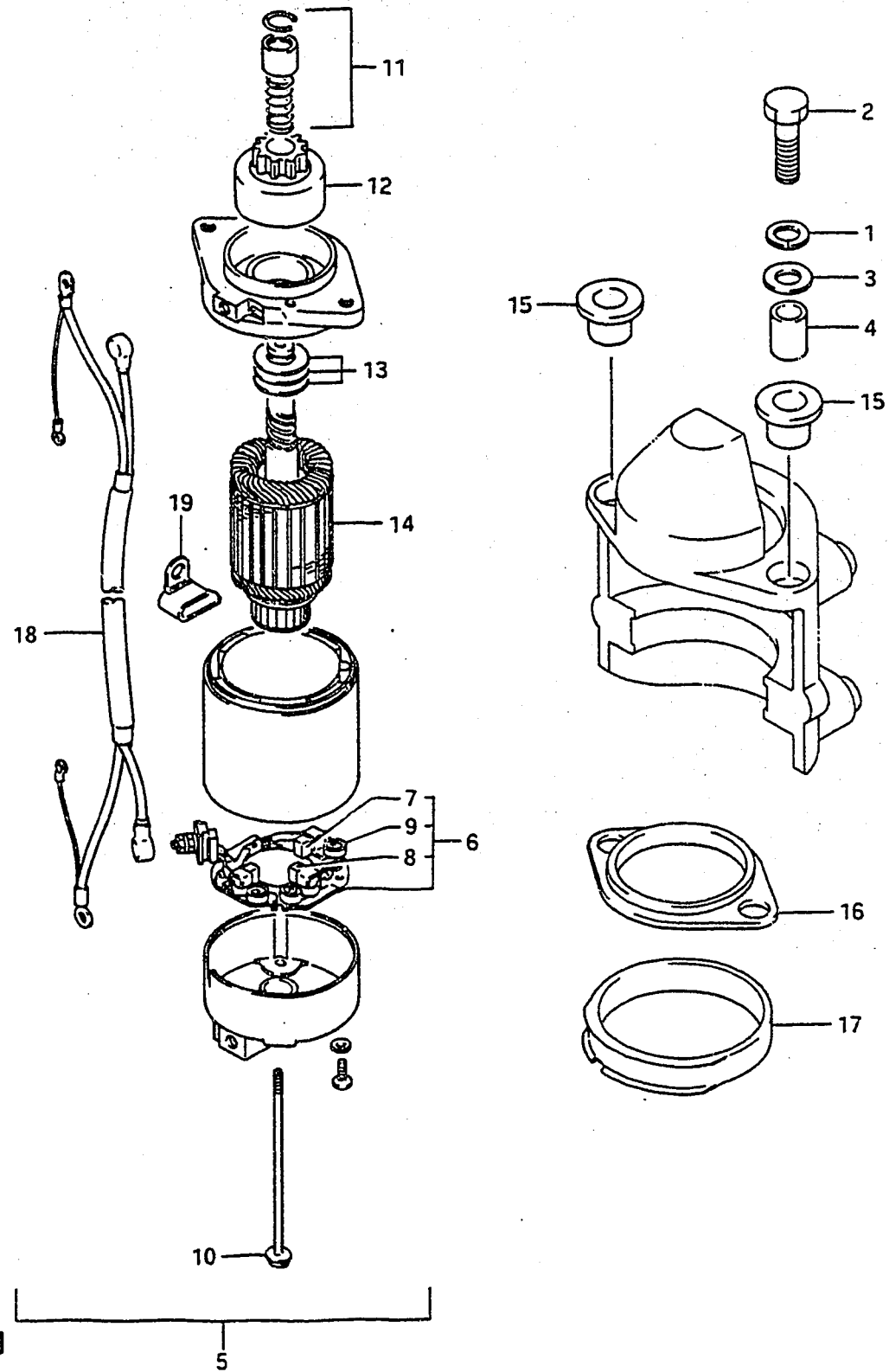
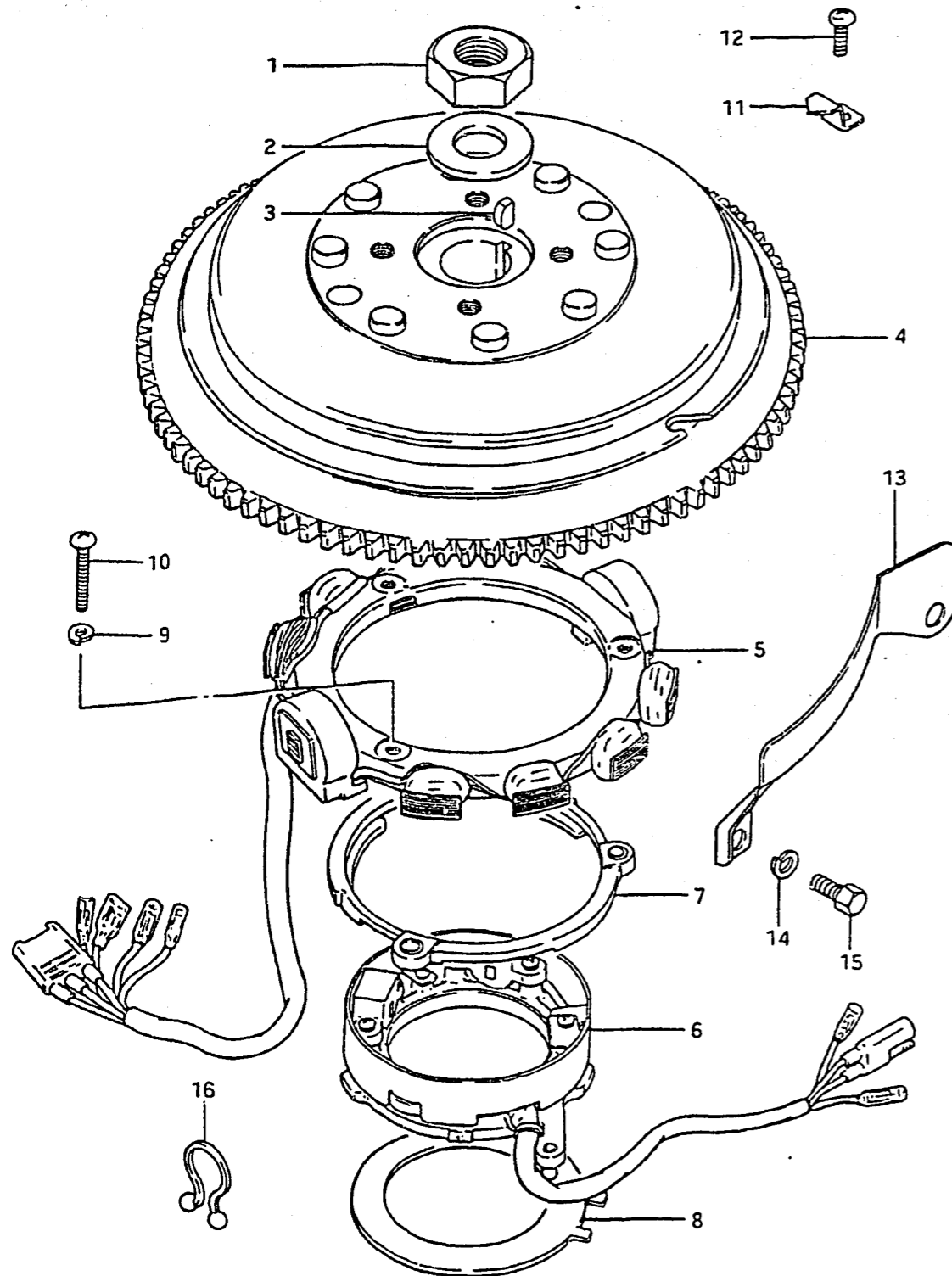


FIG.13 (C-12) STARTING MOTOR (MODEL VF)

REF.NO.	PART NO.	DESCRIPTION	Q'TY	REMARKS
1	08321-21088	LOCK WASHER	2	
2	01107-08358	BOLT	2	
3	09160-08062	WASHER	2	
4	09180-08097	SPACER	2	
5	31100-94600	MOTOR ASSY, starting	1	
6	31173-95310	.HOLDER ASSY, motor brush	1	
7	31131-95310	..BRUSH (+)	2	
8	31132-95310	..BRUSH (-)	1	
9	31135-95310	..SPRING, brush	3	
10	31281-94510	.THROUGH BOLT	2	
11	31312-95241	.STOPPER SET, pinion	1	
12	31320-94510	.PINION ASSY	1	
13	31360-95520	.WASHER KIT	1	
14	31310-94600	.ARMATURE	1	
15	31916-94500	DAMPER, upper	2	
16	31917-94500	DAMPER, middle	1	
17	31918-94600	DAMPER, lower	1	
18	33840-94520	CABLE, starter sub	1	
19	33841-94501	CLAMP	1	

Refer to FIG.12 (C-11) for model QD/VE

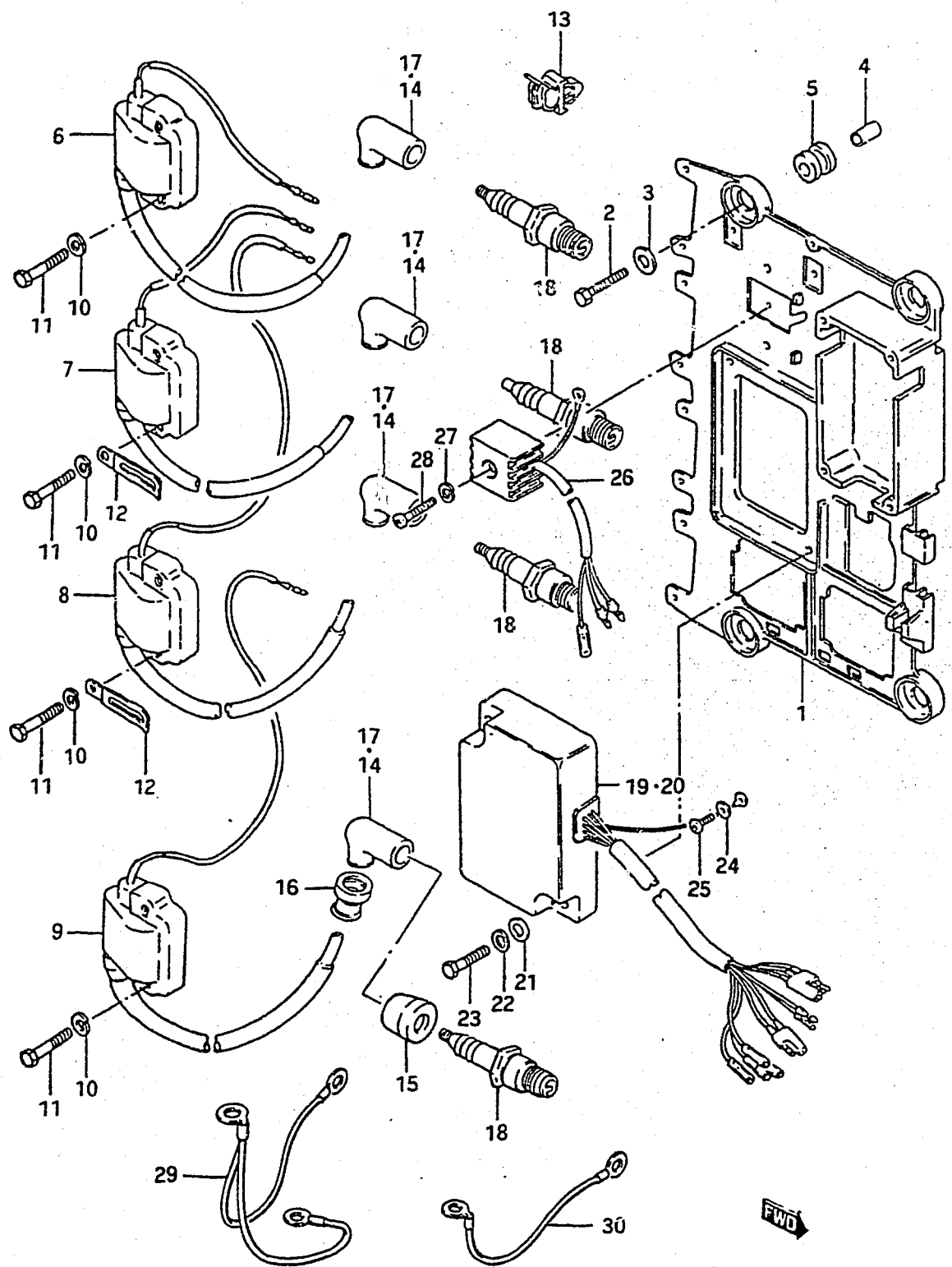
FIG.14 (C-13) MAGNETO



REF.NO.	PART NO.	DESCRIPTION	Q'TY.	REMARKS
1	09140-18007	NUT	1	
2	09160-18011	WASHER (18.5x35x4)	1	
3	08341-31059	KEY	1	
4-1	32102-94503	FLYWHEEL	1	model QD/VE
4-2	32102-94510	FLYWHEEL	1	model VF
5	32101-94500	STATOR	1	
6-1	32160-94501	TIMER BASE & SENSER ASSY	1	model QD/VE
6-2	32160-94510	TIMER BASE & SENSER ASSY	1	model VF
7	32390-94501	RETAINER	1	
8	32395-94502	RETAINER	1	
9	08321-21067	LOCK WASHER	3	
10	02112-06308	SCREW	3	
11	32495-94500	TIMING POINTER	1	
12	02112-06108	SCREW	1	
13	11511-94503-02M	COVER, ring gear	1	
14	08321-21088	LOCK WASHER	2	
15	01107-08208	BOLT	2	
16	09408-00021	CLAMP	1	

←FWD

FIG. 15



DT140TC VF E3

FIG.15 (C-14) IGNITION

Q'TY

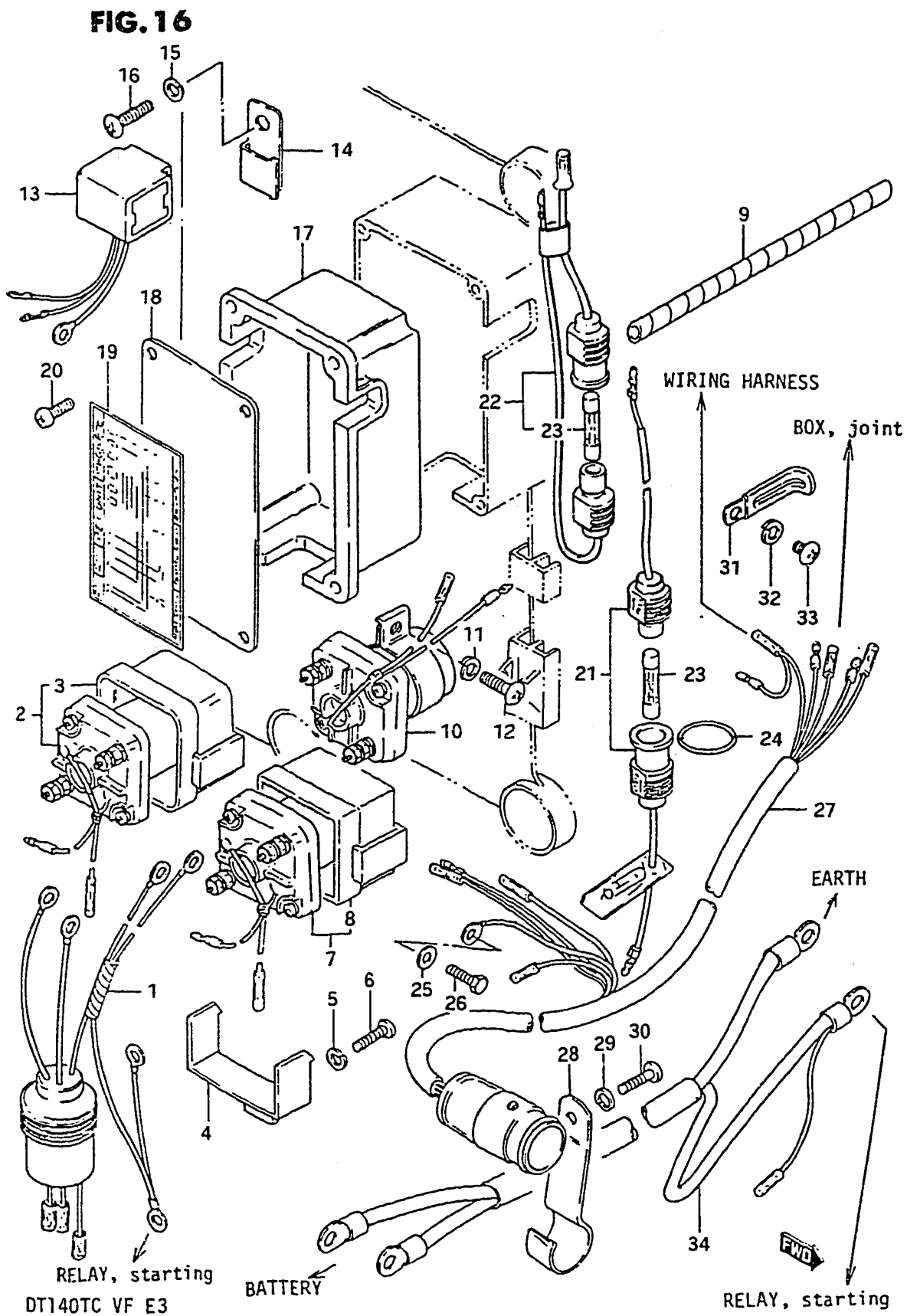
REF.NO.	PART NO.	DESCRIPTION	Q'TY	REMARKS
1	32890-94500	HOLDER, electric parts	1	
2	01107-08307	BOLT	4	
3	09160-08054	WASHER (8.5x20x1.6)	4	
4	09180-08032	SPACER (8.2x12xY7)	4	
5	09320-12028	CUSHION	4	
6	33410-94500	COIL, ignition (1)	1	
7	33420-94500	COIL, ignition (2)	1	
8	33430-94500	COIL, ignition (3)	1	
9	33440-94500	COIL, ignition (4)	1	
10	08321-21067	LOCK WASHER	8	
11	01107-06307	BOLT	8	
12-1	09404-06401	CLAMP (L:50)	2	model QD
12-2	09404-06201	CLAMP (L:50)	2	model VE/VF
13	09403-07308	CLAMP	2	
14	33510-97313	CAP, spark plug	4	model QD
15	33541-93310	SEAL, spark plug	4	model QD
16	33542-98000	SEAL, high tension cord	4	model QD
17	33510-95510	CAP, spark plug	4	model VE/VF
18	09482-00151	SPARK PLUG (NGK, B8HS)	4	
19	32900-94501	C.D.I. UNIT	1	model QD/VE
20	32900-94510	C.D.I. UNIT	1	model VF
21	08322-21067	WASHER	2	
22	08321-21067	LOCK WASHER	2	
23	01107-06257	BOLT	2	
24	08321-21067	LOCK WASHER	1	
25	02112-06167	SCREW, earth	1	
26	32800-95720	RECTIFIER	1	
27	08321-21057	LOCK WASHER	1	
28	02112-05257	SCREW	1	
29	36895-95300	LEAD, engine ground	1	406555~
30	36895-94400	LEAD, engine ground	1	model VF

DT140TC VF E3

FIG.16 (D- 2) ELECTRICAL (1)

Q'TY

REF.NO.	PART NO.	DESCRIPTION	Q'TY	REMARKS
1-1	33830-94502	CABLE, trim relay in	1	model QD
1-2	33830-94504	CABLE, trim relay in	1	model VE/VF
2-1	38410-94510	TRIM RELAY, up	1	model QD
2-2	38410-94540	TRIM RELAY, up	1	model VE/VF
2-3	38410-94530	TRIM RELAY, up	1	OPT,with DAMPER
3	38422-94510	.DAMPER	1	OPT
4	38412-94500	BRACKET, trim relay	2	
5	08321-21067	LOCK WASHER	2	
6	02112-06167	SCREW	2	
7-1	38420-94520	TRIM RELAY, down	1	model QD
7-2	38420-94540	TRIM RELAY, down	1	model VE/VF
7-3	38420-94530	TRIM RELAY, down	1	OPT,with DAMPER
8	38422-94510	.DAMPER	1	OPT
9-1	38423-95501	TUBE, trim relay lead	1	model QD
9-2	34863-94500	TUBE, 50	2	model VF
10	31800-95522	RELAY, starter	1	
11	08321-21067	LOCK WASHER	1	
12	02112-06167	SCREW	1	
13	34861-94501	SEMI CONDUCTOR, oil level	1	
14	34862-94500	BRACKET, semi conductor	1	
15	08321-21067	LOCK WASHER	1	
16	02112-06168	SCREW	1	
17	36653-94501	BOX, insulator	1	
18	36650-94500	COVER, junction box	1	
19-1	36652-94503	LABEL, diagram	1	model QD
19-2	36652-94504	LABEL, diagram	1	model VE/VF
20	09125-05025	SCREW	4	
21	36740-95252	CASE, fuse	1	
22	36740-94500	CASE, fuse	1	
23	09481-20001	.FUSE (20A)	1	
24	09280-21013	O RING	2	model VE/VF
25	08322-21067	WASHER, earth lead	1	
26	01107-06127	BOLT, earth lead	1	



DT140TC VF E3

FIG.16 (D- 3) ELECTRICAL (1)

Q'TY

REF.NO.	PART NO.	DESCRIPTION	Q'TY	REMARKS
27-1	36610-94506	WIRING HARNESS	1	model QD/VE
27-2	36610-94507	WIRING HARNESS	1	model VF
28	36791-94502	HOLDER, wiring harness	1	
29	08321-21067	LOCK WASHER	1	
30	02112-06167	SCREW	1	
31-1	09404-06412	CLAMP (L:60)	1	model QD
31-2	09404-06202	CLAMP (L:60)	1	model VE/VF
32	08321-21067	LOCK WASHER	1	
33	02112-06087	SCREW	1	
34-1	33810-94501	CABLE, starter	1	model QD
34-2	33810-94502	CABLE, starter	1	model VE/VF

FIG.16

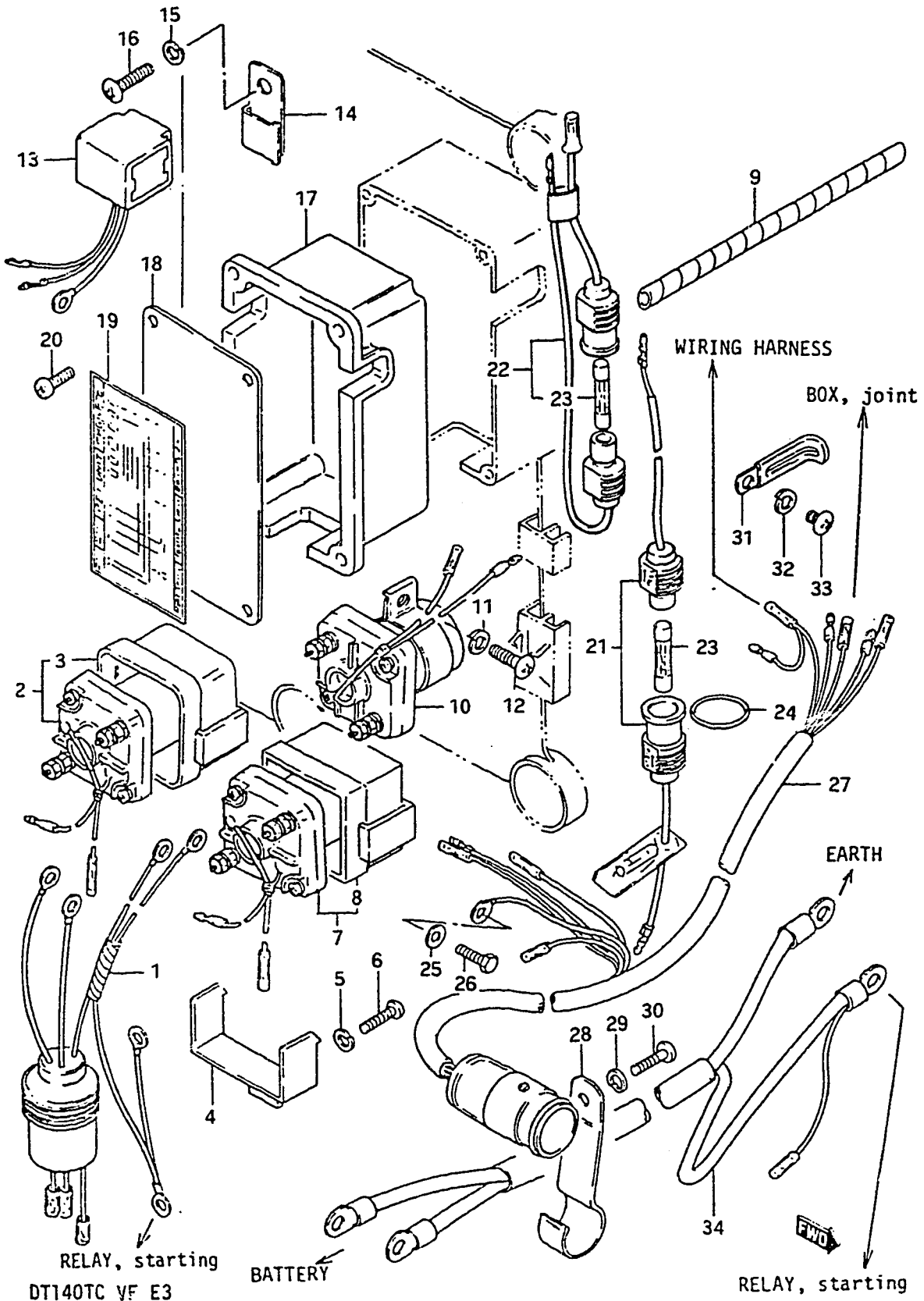
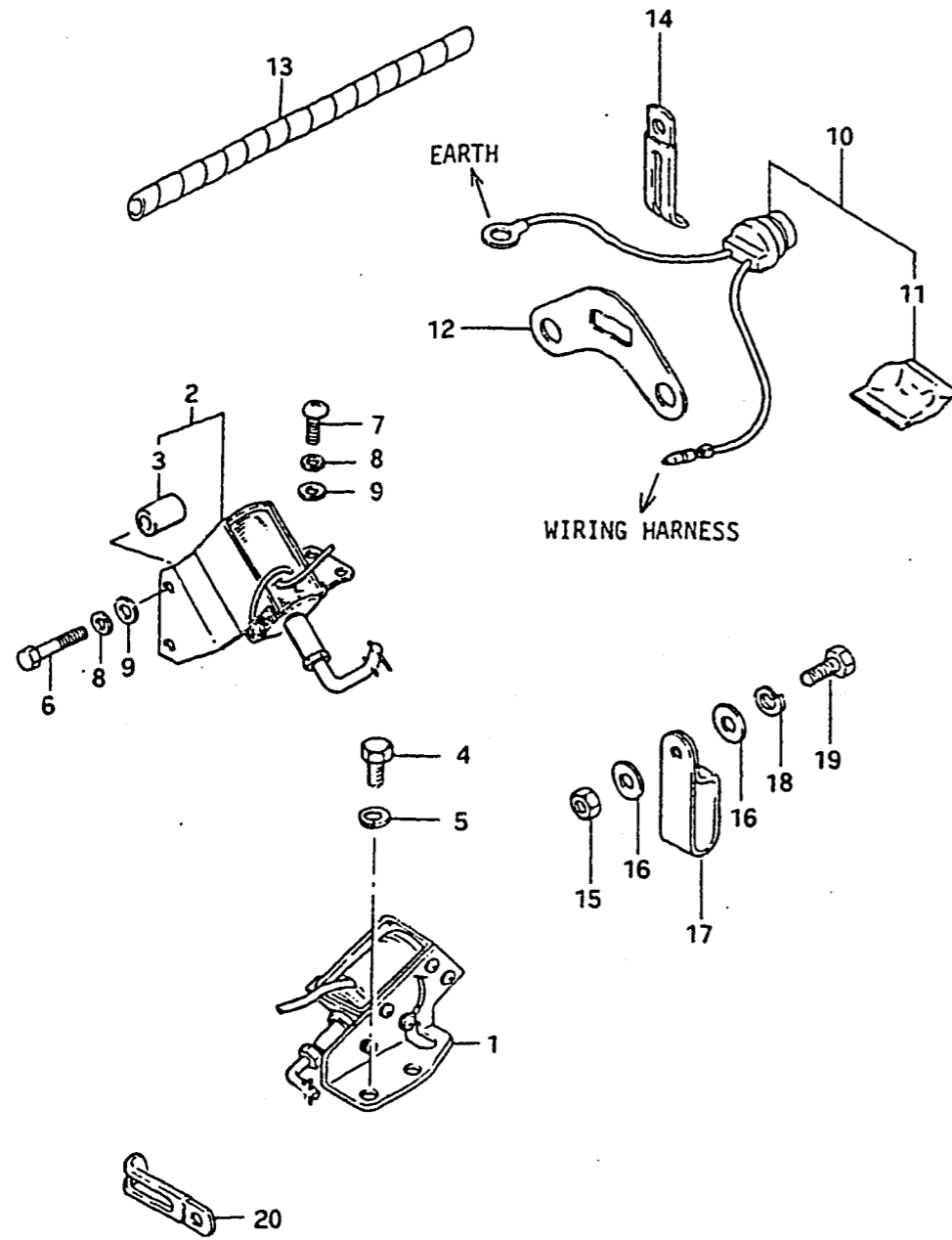


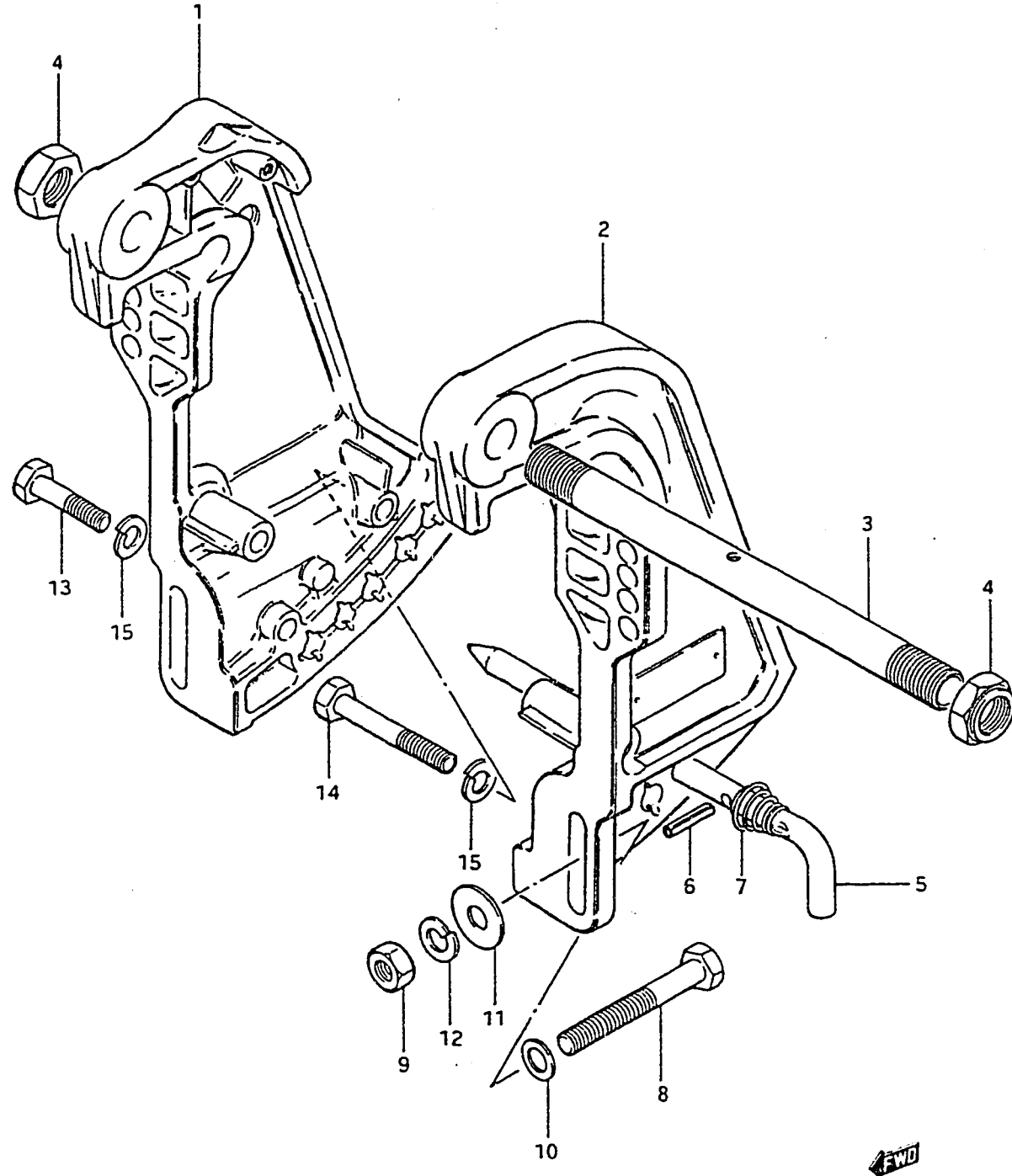
FIG. 17

FIG.17 (D- 4) ELECTRICAL (2)



REF.NO.	PART NO.	DESCRIPTION	Q'TY	REMARKS
1	38600-94515	SOLENOID, choke	1	model QD
2-1	38600-94532	SOLENOID, choke	1	model VE
2-2	38600-94533	SOLENOID, choke	1	model VF
3	38601-94500	.SPACER (5.5x12x15.8)	2	model VE/VF
4	09100-05102	BOLT (5x10)	2	model QD
5	09162-05002	LOCK WASHER	2	model QD
6	01107-05307	BOLT	2	model VE/VF
7	02112-05128	SCREW	2	model VE/VF
8	08321-21057	LOCK WASHER	4	model VE/VF
9	08322-21057	WASHER	4	model VE/VF
10	34850-94510	SWITCH, heat	1	
11	34855-95550	.GREASE, heat switch	1	
12	34853-94500	SUPPORTER	1	
13	33833-95500	TUBE, 100	1	model VE/VF
14-1	09404-10401	CLAMP (L:52)	1	model QD
14-2	09404-10201	CLAMP (L:52)	1	model VE/VF
15	09140-06020	NUT	1	
16	09160-06036	WASHER (6.5x18x1.5)	2	
17	33816-94500	CLAMP, cable	1	
18	09162-06001	LOCK WASHER	1	
19	09100-06122	BOLT (6x20)	1	
20-1	09404-08401	CLAMP	2	model QD
20-2	09404-08201	CLAMP	1	model VE/VF

FIG. 18



25

FIG.18 (D- 5) CLAMP BRACKET (MODEL QD)

REF.NO.	PART NO.	DESCRIPTION	Q'TY	REMARKS
1-1	41111-94502-02M	BRACKET, clamp RH	1	-304637
1-2	41111-94503-02M	BRACKET, clamp RH	1	304638-
2	41121-94502-02M	BRACKET, clamp LH	1	
3	41131-94500	SHAFT, clamp bracket	1	
4	09159-22004	NUT	2	
5	45421-94501	PIN, tilt lock	1	
6	09205-03017	SPRING PIN (L:20)	1	
7	09441-24002	SPRING (L:21)	1	
8	09100-12026	BOLT (12x100)	4	
9	09140-12029	NUT	4	
10	09160-12033	WASHER (12.5x22x2.5)	4	
11	09160-12066	WASHER (12.5x35x3.2)	4	
12	09162-12005	LOCK WASHER	4	
13	09100-10155	BOLT (10x50)	2	
14	09100-10156	BOLT	4	
15	09162-10005	LOCK WASHER	6	

Refer to FIG.19 (D-6) for model VE/VF

FIG.19

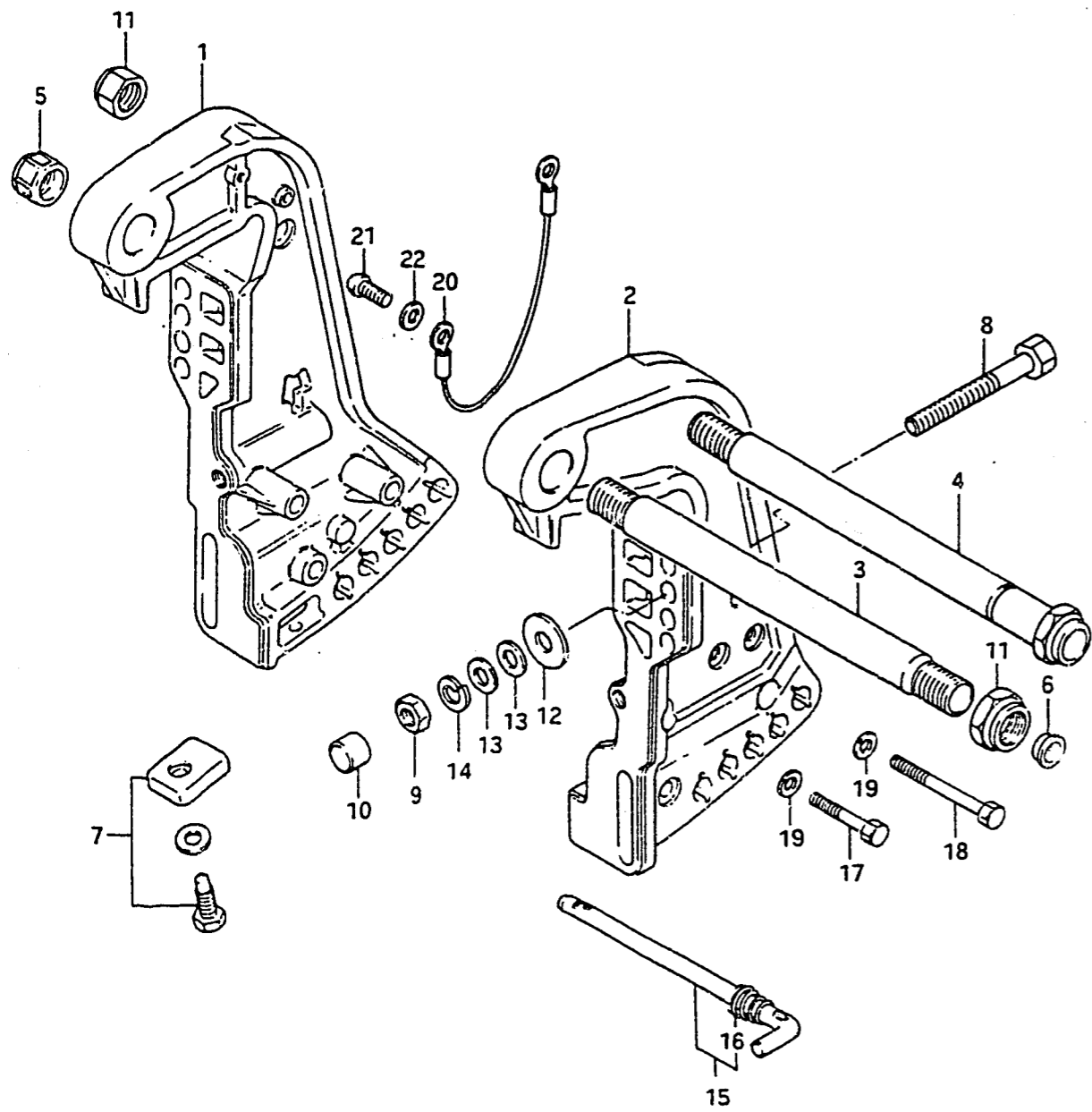
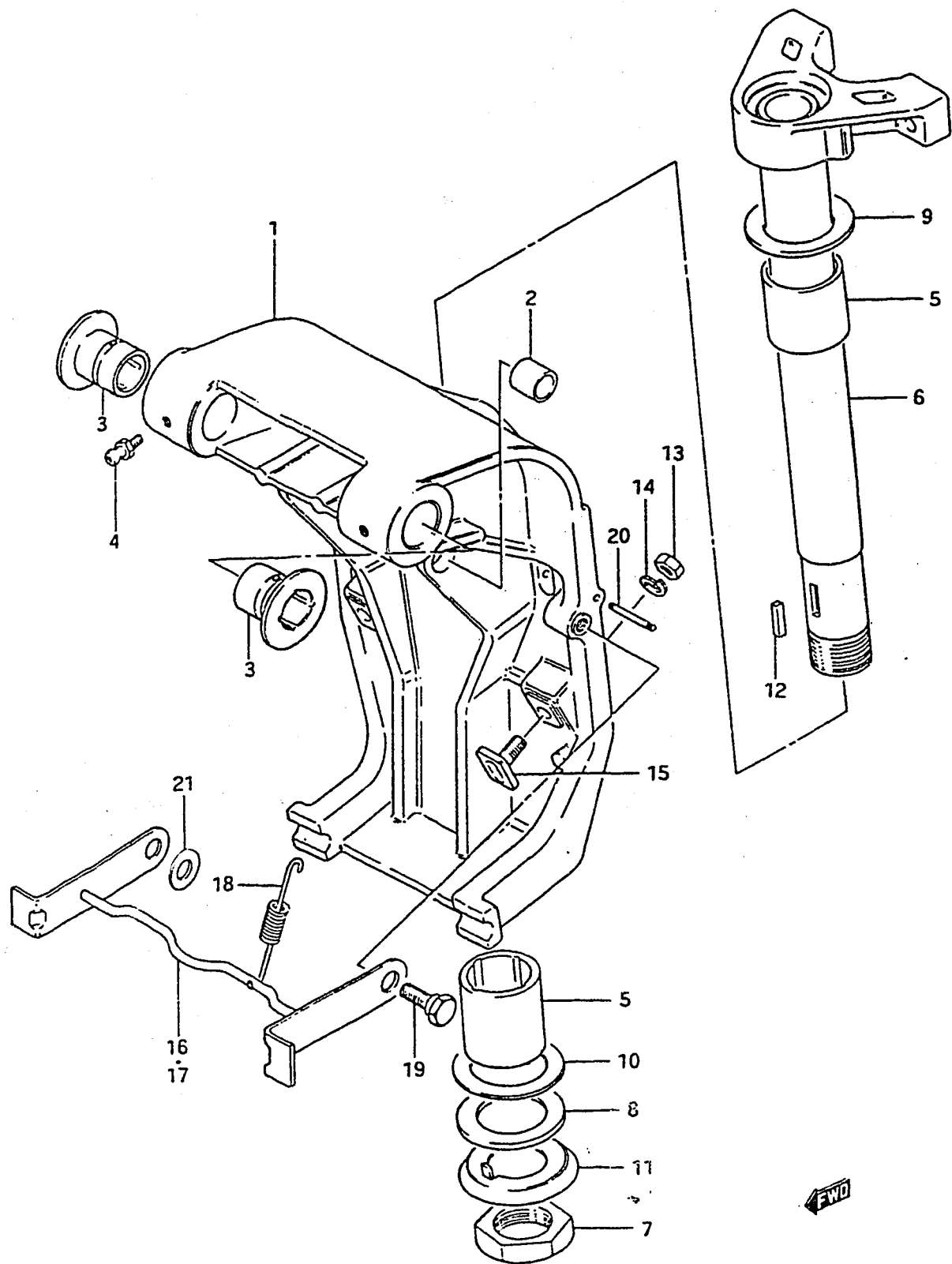


FIG.19 (D- 6) CLAMP BRACKET (MODEL VE/VF)

REF.NO.	PART NO.	DESCRIPTION	Q'TY	REMARKS
1-1	41111-94505-02M	BRACKET, clamp, STBD	1	model VE
1-2	41111-94510-02M	BRACKET, clamp, STBD	1	model VF
2-1	41121-94503-02M	BRACKET, clamp, PORT	1	model VE
2-2	41121-94530-02M	BRACKET, clamp, PORT	1	model VF
3	41131-94510	SHAFT, clamp bracket	1	model VE
4	41130-95510	SHAFT, clamp bracket	1	model VF
5	41151-94500	CAP, clamp bracket shaft	1	
6	41152-94500	PLUG, clamp bracket shaft	1	
7	55320-95310	ZINC SET, protection	1	
8-1	09100-12031	BOLT (12x100)	4	model VE
8-2	09100-12039	BOLT (12x100)	4	model VF
9	09140-12028	NUT	4	
10	41153-94500	CAP	4	
11-1	09159-22003	NUT	2	model VE
11-2	09159-22003	NUT	1	model VF
12	09160-12044	WASHER	4	
13	09160-12066	WASHER	6	
14	09162-12005	LOCK WASHER	4	
15	45420-95500	PIN, tilt lock	1	
16	09441-24002	.SPRING	1	
17	09100-10155	BOLT (10x50)	2	
18	09100-10156	BOLT (10x80)	4	
19	09162-10005	WASHER	6	
20	36894-95200	LEAD (L:165)	2	406555~
21	09125-05050	SCREW (5x8)	3	406555~
22	09161-05013	WASHER (5.2x11x1)	3	406555~

Refer to FIG.18 (D-5) for model QD

FIG. 20



27

FIG.20 (D- 7) SWIVEL BRACKET

REF.NO.	PART NO.	DESCRIPTION	Q'TY	REMARKS
1-1	43110-94500-02M	BRACKET, swivel	1	model QD
1-2	43111-94502-02M	BRACKET, swivel	1	405082-406554
1-3	43111-94503-02M	BRACKET, swivel	1	406555-406620
1-4	43111-94510-02M	BRACKET, swivel	1	model VF
2	09303-18001	.BUSHING	2	
3-1	09306-22002	BUSHING	2	model QD
3-2	43211-94500	BUSHING	2	model VE
3-3	43211-94510	BUSHING	2	model VF
4-1	22511-99000	GREASE NIPPLE	3	model QD/VE
4-2	22511-99000	GREASE NIPPLE	5	model VF
5	09306-36002	BUSHING	2	
6	43740-94504-02M	SHAFT, pilot	1	
7-1	09140-33001	NUT	1	model QD
7-2	09140-33002	NUT	1	model VE/VF
8-1	09160-33001	WASHER, lower (33x60x3)	1	model QD
8-2	09160-33002	WASHER, lower (33x60x3)	1	model VE/VF
9-1	09160-36002	WASHER, upper (36.5x60x2)	1	model QD
9-2	09160-36004	WASHER, upper (36.5x60x2)	1	model VE/VF
10-1	09181-36005	SHIM (36.3x60x0.3)	0-2	model VE/VF
10-2	09181-36006	SHIM (36.3x60x0.5)	0-2	model VE/VF
11-1	09166-33001	WASHER	1	model QD
11-2	09166-33002	WASHER	1	model VE/VF
12	09421-05006	KEY	1	
13	09140-08016	NUT, trim cylinder ram	2	
14	09162-08007	LOCK WASHER	2	
15-1	48311-94500	PAD, trim cylinder ram	2	model QD
15-2	48311-94501	PAD, trim cylinder ram	2	model VE/VF

FIG. 20

FIG. 20 (D- 8) SWIVEL BRACKET

Q'TY

REF.NO.	PART NO.	DESCRIPTION	Q'TY	REMARKS
16	41220-94503-02M	LEVER, tilt lock	1	model QD
17-1	41220-95500	LEVER, tilt lock	1	model VE
17-2	41220-95501-02M	LEVER, tilt lock	1	model VF
18-1	09443-10021	SPRING (L:86)	1	model QD
18-2	09443-10029	SPRING (L:81)	1	model VE/VF
19-1	09111-12006	BOLT	2	-305081
19-2	09111-12008	BOLT	2	405082-
20-1	41225-94500	PIN, tilt lock spring	1	model QD
20-2	41225-94501	PIN, tilt lock spring	1	model VE/VF
21	09160-10040	WASHER	1	

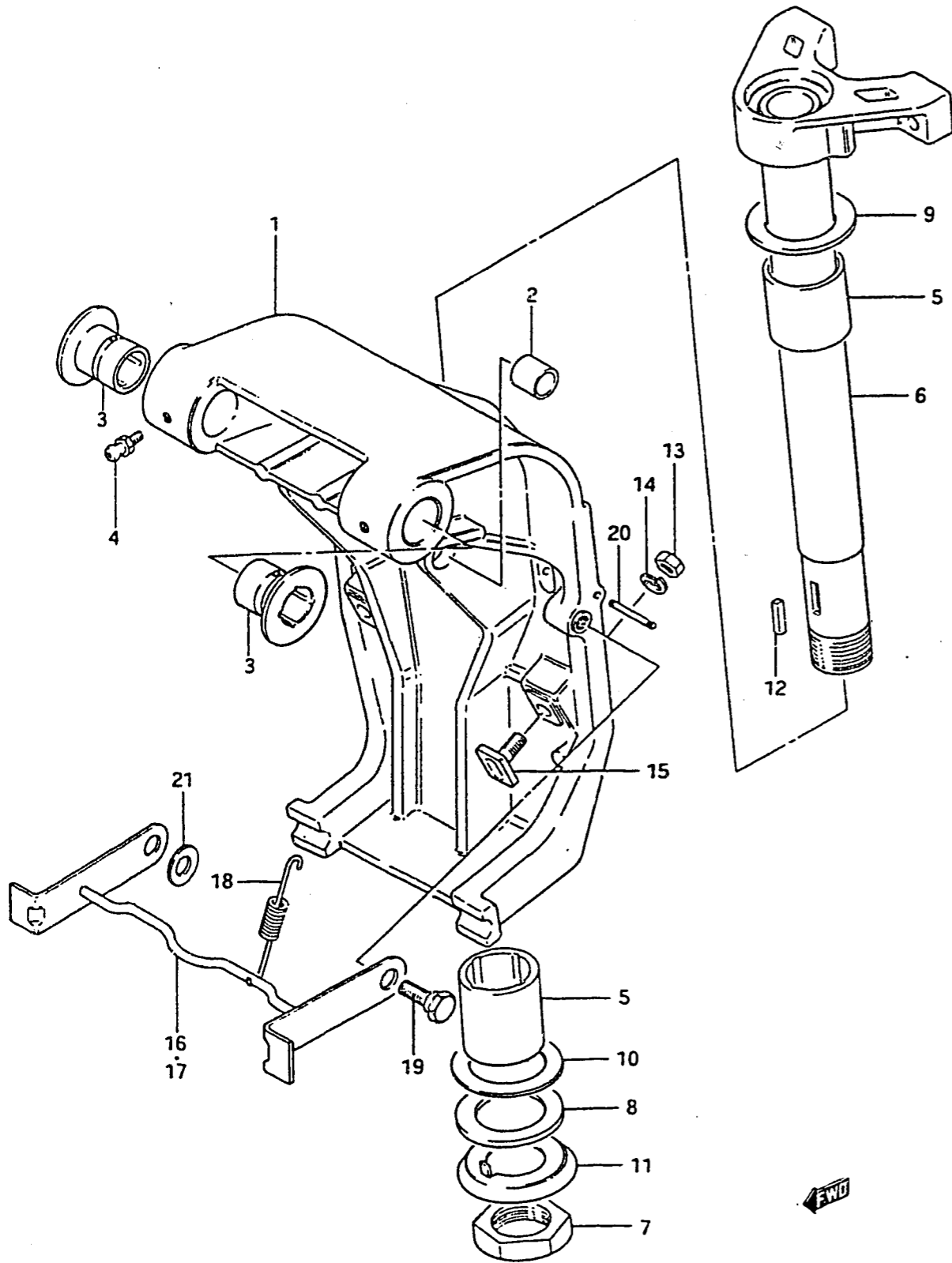


FIG. 21

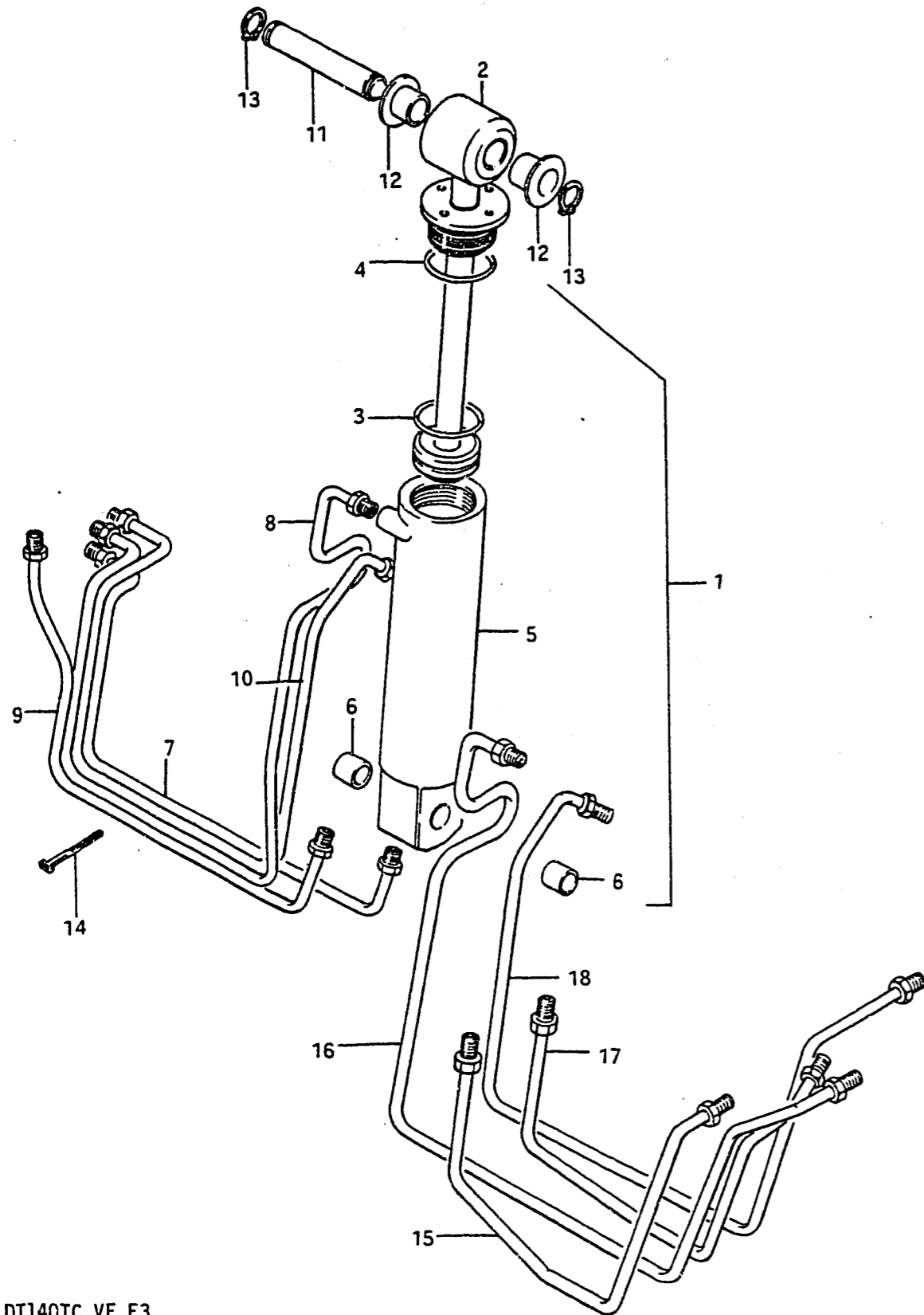


FIG. 21 (D- 9) TILT CYLINDER

REF.NO.	PART NO.	DESCRIPTION	Q'TY	REMARKS
1	48400-94500-02M	TILT CYLINDER ASSY	1	
2	48401-94500	.PISTON & PISTON ROD SUB ASSY	1	
3	48427-94500	.O RING, piston	1	
4	48433-94500	.O RING	1	
5	48441-94500	.TUBE, cylinder	1	
6	09303-18001	.BUSHING	2	
7-1	48720-94520	PIPE, tilt inlet	1	model QD
7-2	48720-94521	PIPE, tilt inlet	1	model VE/VF
8-1	48730-94520	PIPE, tilt outlet	1	model QD
8-2	48730-94521	PIPE, tilt outlet	1	model VE/VF
9-1	48740-94520	PIPE, trim inlet	1	model QD
9-2	48740-94521	PIPE, trim inlet	1	model VE/VF
10-1	48750-94520	PIPE, trim outlet	1	model QD
10-2	48750-94521	PIPE, trim outlet	1	model VE/VF
11	48321-94510	SHAFT, tilt cylinder upper	1	
12	09306-16003	BUSHING	2	
13	09380-16003	SNAP RING	2	
14	36632-95501	CLAMP, PTT pipe	6	
15	48720-94580	TUBE, tilt inlet	1	OPT:PORT SIDE
16	48730-94580	TUBE, tilt outlet	1	OPT:PORT SIDE
17	48740-94580	TUBE, trim inlet	1	OPT:PORT SIDE
18	48750-94580	TUBE, trim outlet	1	OPT:PORT SIDE

FIG. 22

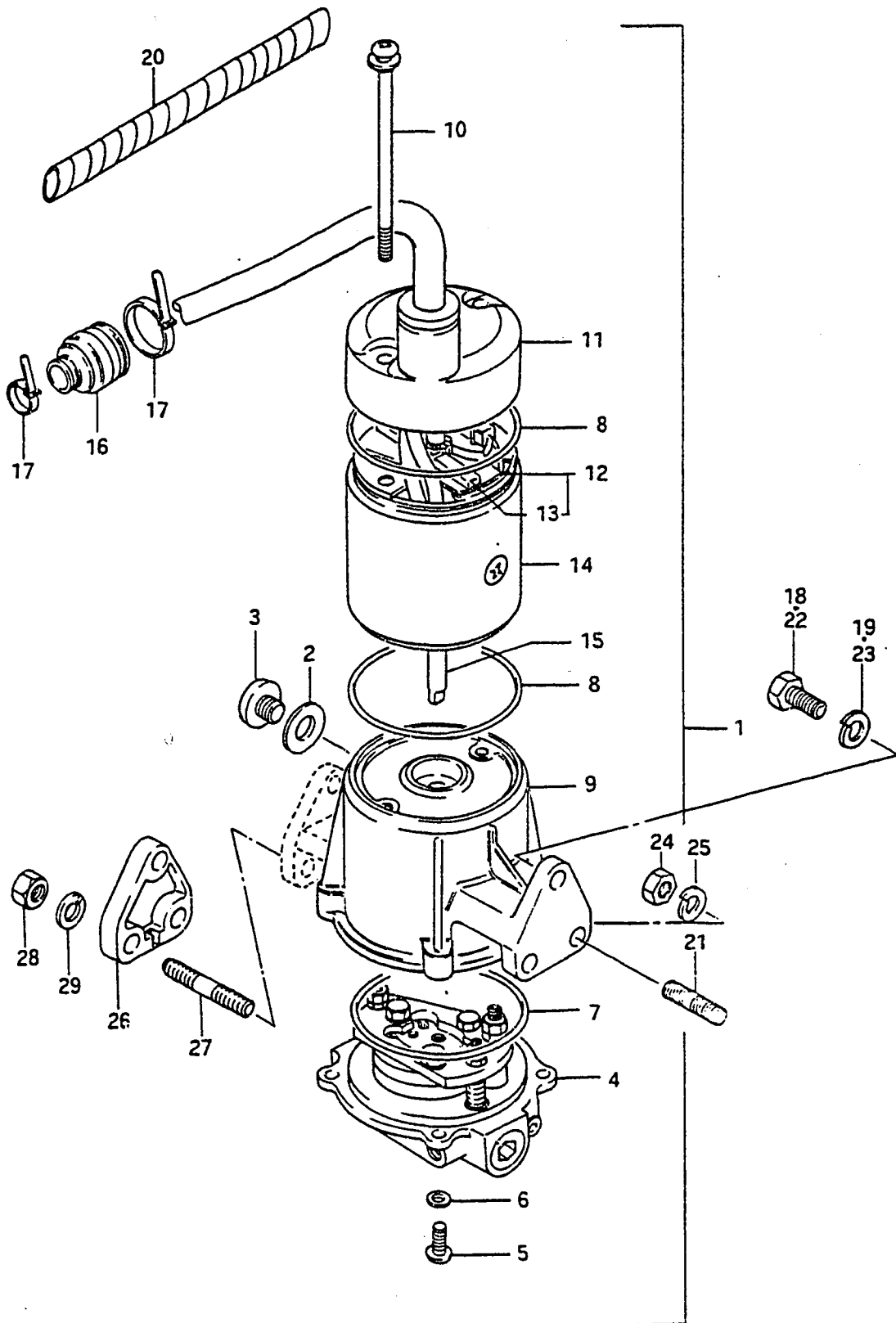


FIG. 22 (D-10) POWER UNIT

Q'TY

REF.NO.	PART NO.	DESCRIPTION	Q'TY	REMARKS
1-1	48500-94520-02M	POWER UNIT ASSY, power trim	1	-405549
1-2	48500-94521-02M	POWER UNIT ASSY, power trim	1	405550-406441
1-3	48500-94523-02M	POWER UNIT ASSY, power trim	1	406442-
1-4	48500-94581-02M	POWER UNIT ASSY, power trim	1	OPT:PORT SIDE
2	09168-10022	.GASKET	1	
3-1	09248-10004	.PLUG	1	model QD
3-2	09248-10005	.PLUG	1	model VE
4-1	48502-94520	.VALVE BODY	1	model QD/VE
4-2	48502-94522	.VALVE BODY	1	model VF
5-1	09125-05029	.SCREW	4	model QD
5-2	09125-05048	.SCREW	4	model VE/VF
6-1	09160-05010	.WASHER	4	model QD
6-2	09160-05032	.WASHER	4	model VE/VF
7	48585-94520	.O RING	1	
8	09280-70006	.O RING	2	
9	48570-94521-02M	.RESERVOIR ASSY	1	
10	31281-94520	.SCREW	2	
11	3117G-94520-02M	.COVER, upper	1	Harness not included
12	31173-94520	.BRUSH HOLDER ASSY	1	
13	31133-94520	.BRUSH	2	
14	31110-94520-02M	.YOKE ASSY	1	
15	31311-94520	.ARMATURE	1	
16	33899-95500	.SEAL, PTT cable	1	
17	36632-95501	.CLAMP	2	
18	09100-08154	BOLT	3	model QD
19	09162-08007	LOCK WASHER	3	model QD
20	38423-95501	TUBE PTT motor cable	1	model QD
21	09108-08130	STUD BOLT (8x20)	2	model VE/VF
22	09100-08219	BOLT	1	model VE/VF
23	09162-08007	LOCK WASHER	1	model VE/VF
24	09140-08016	NUT	2	model VE/VF
25	09162-08007	WASHER	2	model VE/VF
26	48131-95200	SPACER	1	OPT:PORT SIDE
27	09108-08137	STUD BOLT (8x35)	3	OPT:PORT SIDE
28	09140-08016	NUT	3	OPT:PORT SIDE
29	09162-08007	LOCK WASHER	3	OPT:PORT SIDE

FIG. 23

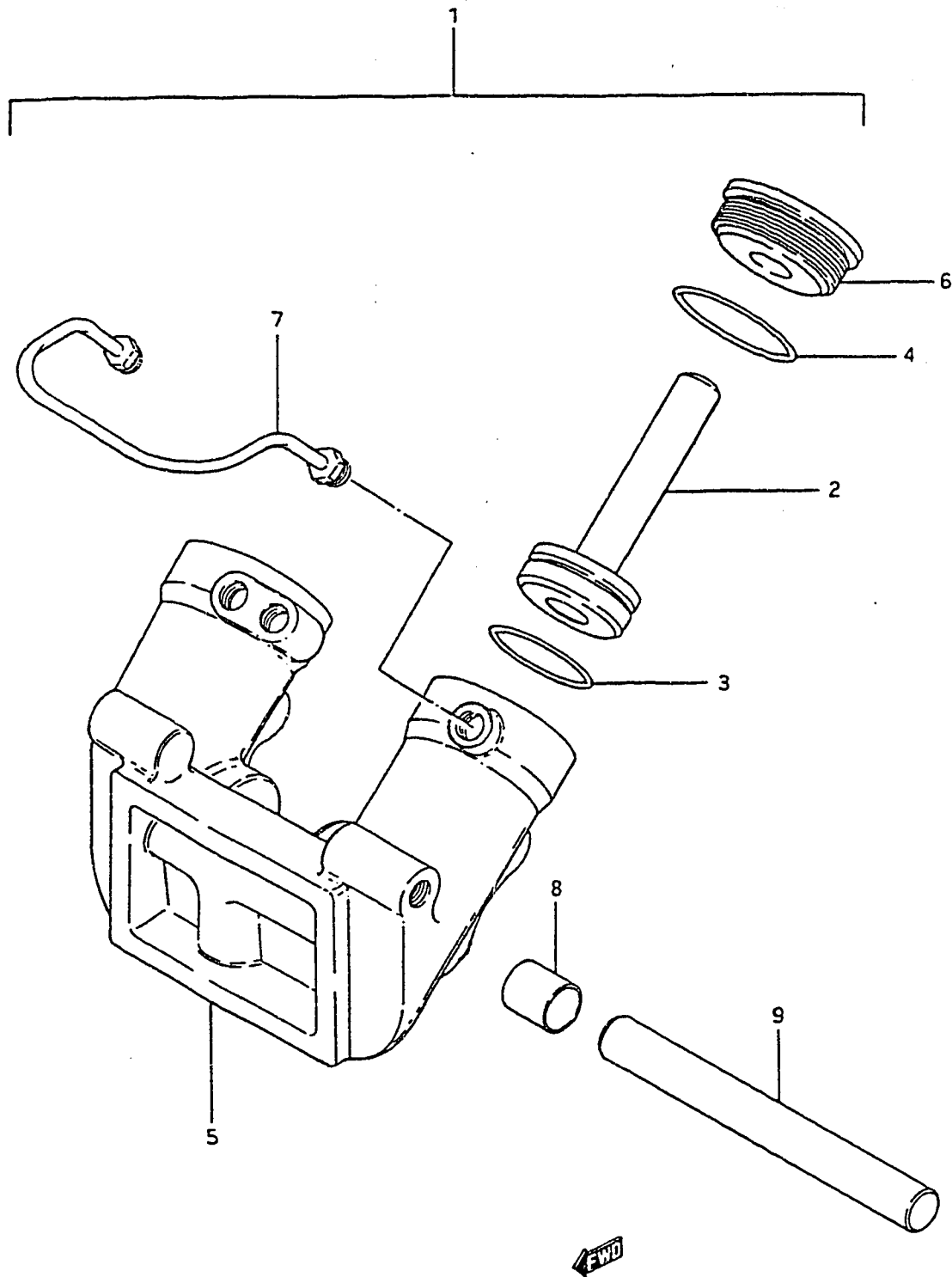


FIG. 23 (D-11) TRIM CYLINDER

REF.NO.	PART NO.	DESCRIPTION	Q'TY	REMARKS
1	48600-94500-02M	TRIM CYLINDER ASSY	1	
2-1	48601-94500	.PISTON & PISTON ROD ASSY	2	model QD/VE
2-2	48601-94501	.PISTON & PISTON ROD ASSY	2	model VF
3	48627-94500	.O RING, piston	4	
4	48633-94500	.O RING, head	4	
5	48641-94500	.CYLINDER, trim	1	
6	48630-94500	.HEAD, trim cylinder	2	
7-1	48760-94500	.TUBE, trim cylinder outlet	1	model QD
7-2	48760-94501	.TUBE, trim cylinder outlet	1	model VE/VF
8	09303-18001	.BUSHING	4	
9	48121-94510	SHAFT, tilt cylinder lower	1	

FIG. 24

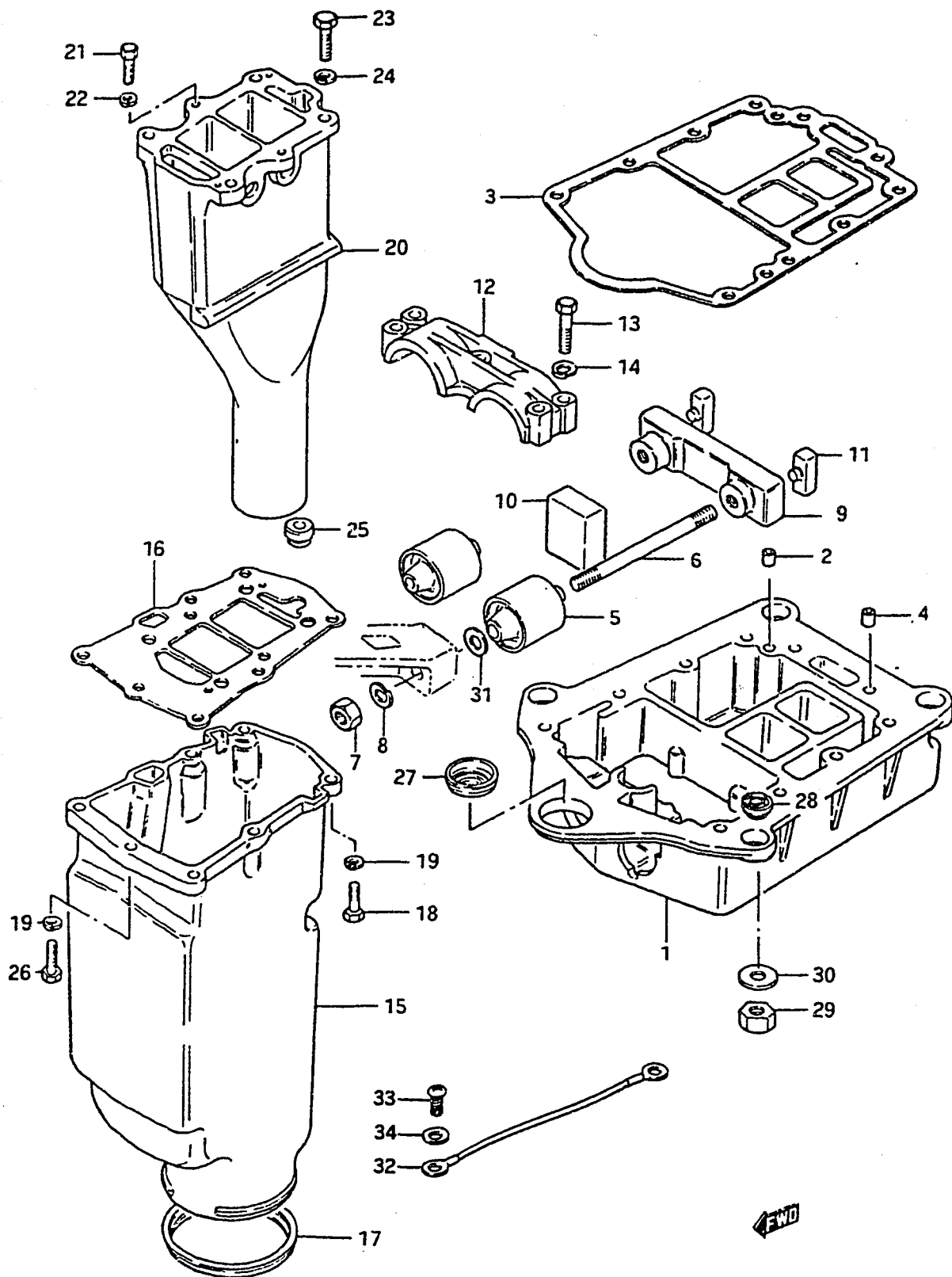
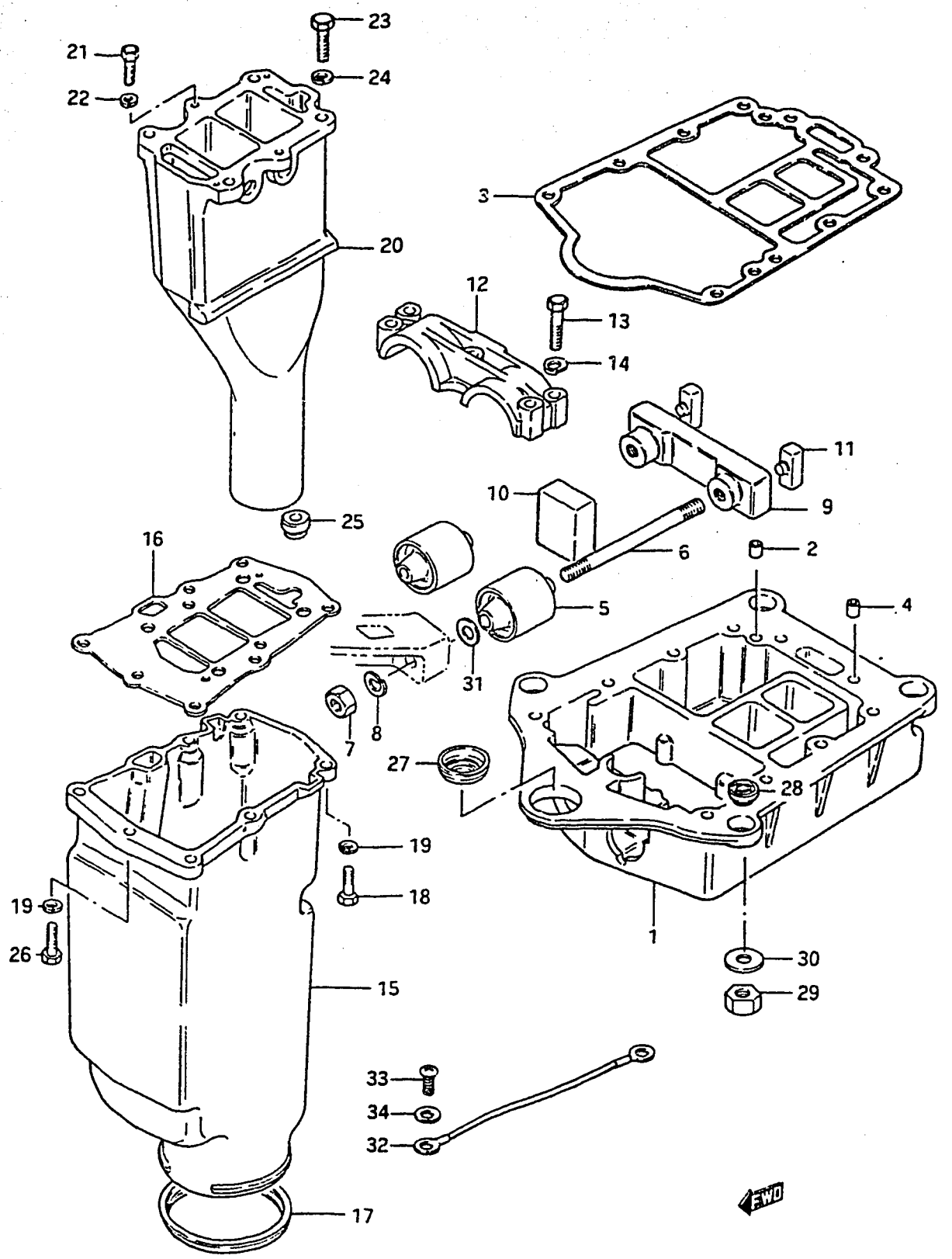


FIG. 24 (D-12) ENGINE HOLDER

REF.NO.	PART NO.	DESCRIPTION	Q'TY	REMARKS
1-1	51111-94503-02M	HOLDER, engine	1	model QD
1-2	51111-94505-02M	HOLDER, engine	1	405082-406334
1-3	51111-94507-02M	HOLDER, engine	1	406335-
2	09206-11001	PIN (11x12)	2	
3	51211-94501	GASKET, engine holder	1	
4	09206-13006	PIN (13x20)	2	
5-1	54130-94500	MOUNTING, upper	2	
5-2	54130-94510	MOUNTING, upper	2	OPT:HARD TYPE
6-1	09108-12001	STUD BOLT	2	model QD
6-2	09108-12002	STUD BOLT	2	model VE/VF
7-1	09140-12020	NUT	2	model QD
7-2	09140-12029	NUT	2	model VE/VF
8-1	09162-12002	LOCK WASHER	2	model QD
8-2	09162-12005	LOCK WASHER	2	model VE/VF
9	54136-94503	STOPPER, upper mounting	1	
10-1	54141-94501	MOUNTING, upper front	1	
10-2	54141-94510	MOUNTING, upper front	1	OPT:HARD TYPE
11-1	54142-94502	MOUNTING, upper rear	2	
11-2	54142-94510	MOUNTING, upper rear	2	OPT:HARD TYPE
12	51112-94502	COVER, upper mounting	1	
13-1	09100-08160	BOLT (8x45)	5	model QD
13-2	09100-08216	BOLT (8x45)	5	model VE/VF
14	09162-08007	LOCK WASHER	5	
15	52171-94503	HOUSING, exhaust	1	
16	52172-94503	GASKET, exhaust housing	1	
17	52173-94502	SEAL, exhaust housing	1	
18-1	09100-06089	BOLT	6	model QD
18-2	09100-06039	BOLT	6	model VE/VF
19	09162-06001	LOCK WASHER	7	

FIG.24 (D-13) ENGINE HOLDER

FIG. 24



Q'TY

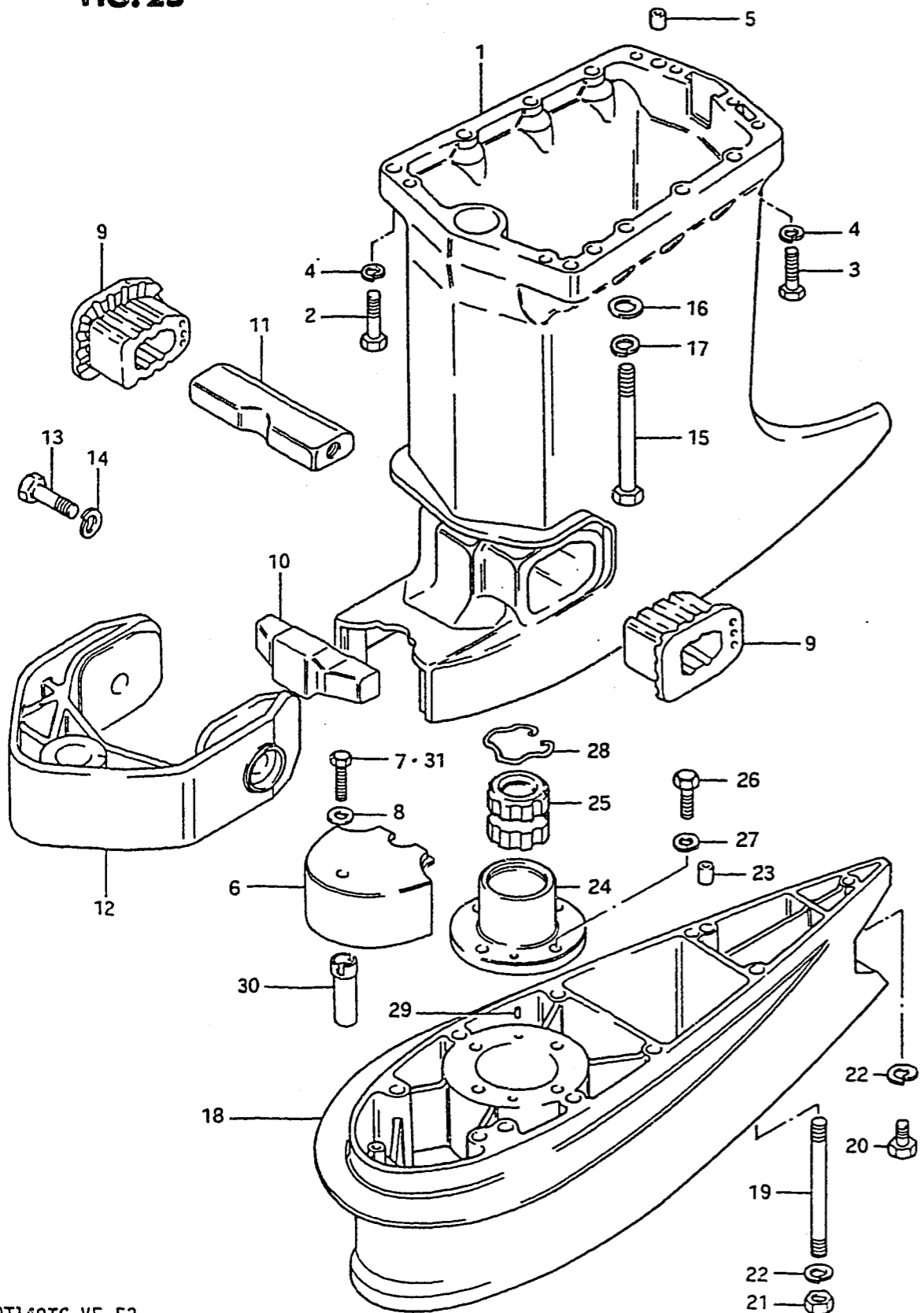
REMARKS

REF.NO.	PART NO.	DESCRIPTION	Q'TY	REMARKS
20-1	14211-94505	TUBE, exhaust	1	~405085
20-2	14211-94506	TUBE, exhaust	1	405086~406441
20-3	14211-94511	TUBE, exhaust	1	406442~406620
20-4	14211-94600	TUBE, exhaust	1	506621~
21	09100-06089	BOLT	2	
22	09162-06001	LOCK WASHER	2	
23	09100-08112	BOLT (8x30)	4	
24	09162-08007	LOCK WASHER	4	
25	09308-06010	GROMMET	1	
26-1	09100-06049	BOLT	1	model QD
26-2	09100-06121	BOLT	1	model VE/VF
27	09284-08004	SEAL	1	
28	09319-08019	BUSHING	4	
29-1	09140-08003	NUT	4	~305081
29-2	09140-08016	NUT	4	405082~
30-1	09160-08052	WASHER (8.2x28x2)	4	~305081
30-2	09160-08081	WASHER	4	405082~
31	09160-12067	SHIM	1-2	
32	36894-95200	LEAD (L:165)	1	
33	09125-05050	SCREW (5x8)	2	
34	09161-05013	WASHER (5.2x11x1)	2	

FIG. 25

FIG. 25 (E- 2) DRIVESHAFT HOUSING

Q'TY



REF.NO.	PART NO.	DESCRIPTION	Q'TY	REMARKS
1-1	52111-94506-02M	HOUSING, drive shaft	1	~406441
1-2	52111-94507-02M	HOUSING, drive shaft	1	406442~406620
1-3	52111-94508-02M	HOUSING, drive shaft	1	506621-
2-1	09100-08101	BOLT (8x40)	2	model QD
2-2	09100-08220	BOLT (8x40)	2	model VE
3-1	09100-08163	BOLT (8x35)	4	model QD
3-2	09100-08224	BOLT (8x35)	4	model VE
4	09162-08007	LOCK WASHER	6	
5	09206-11001	PIN	2	
6	52121-94502-02M	COVER, drive shaft housing	1	
7-1	09100-06022	BOLT (6x35)	1	model QD
7-2	09100-06117	BOLT (6x35)	1	model VE
7-3	09103-06095	BOLT (6x40)	1	model VF
8	09160-06015	WASHER (6.5x13x1)	1	
9-1	54161-94503	MOUNTING, lower	2	
9-2	54161-94510	MOUNTING, lower	2	OPT:HARD TYPE
10-1	54165-94504	MOUNTING, lower thrust	1	
10-2	54165-94510	MOUNTING, lower thrust	1	OPT:HARD TYPE
11	54166-94501	STOPPER, lower mounting	1	
12-1	54210-94501-02M	BRACKET, lower mounting	1	model QD/VE
12-2	54210-94503-02M	BRACKET, lower mounting	1	model VF
13	09104-14001	BOLT (14x55)	2	
14-1	09162-14003	LOCK WASHER	2	model QD
14-2	09162-14004	LOCK WASHER	2	model VE/VF
15	09100-10159	BOLT (10x130)	8	
16	09160-10040	WASHER	8	
17	09162-10005	LOCK WASHER	8	

FIG. 25

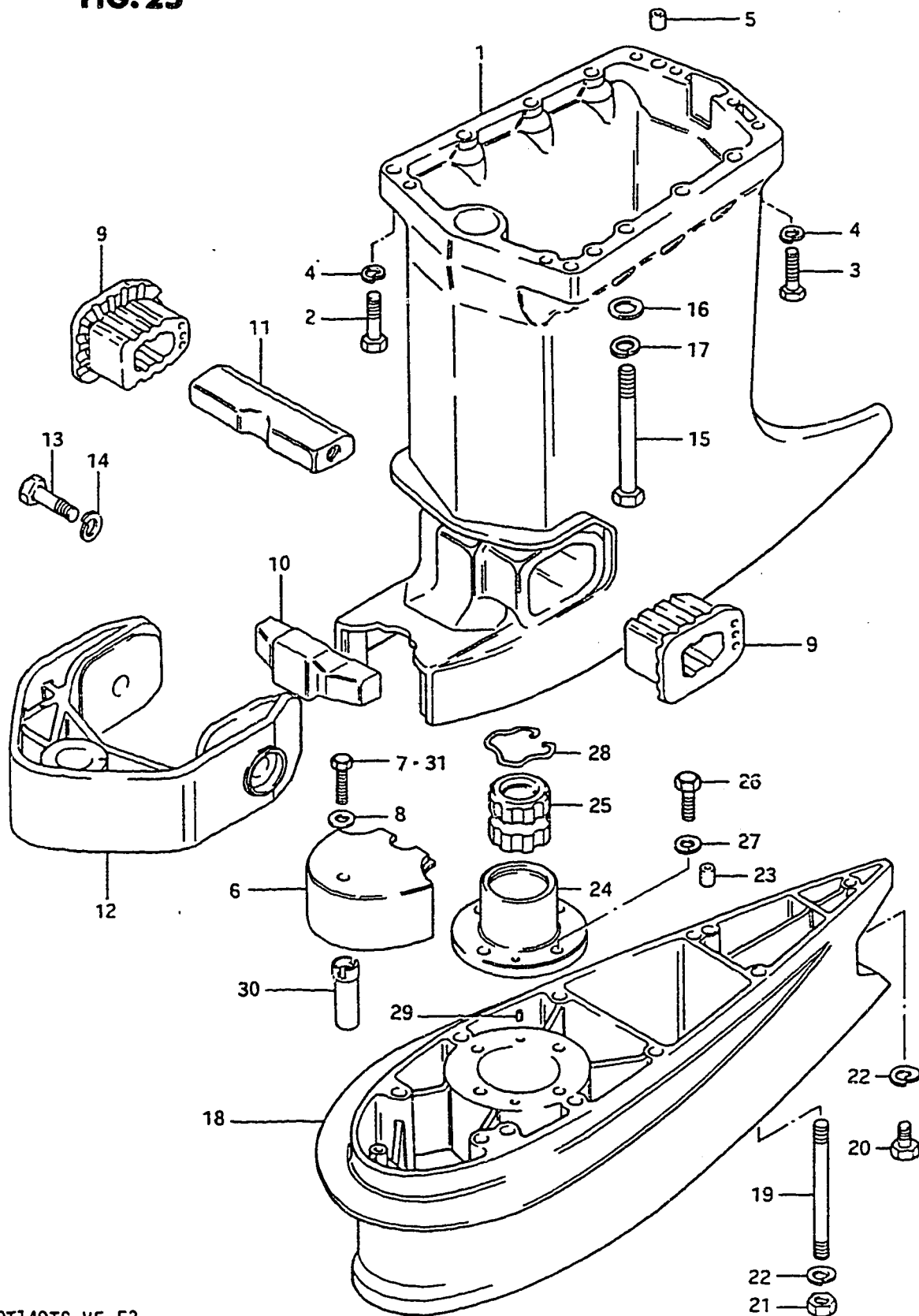


FIG.25 (E- 3) DRIVESHAFT HOUSING

REF.NO.	PART NO.	DESCRIPTION	Q'TY	REMARKS
18	52131-94502-02M	CASE, extension	1	X TYPE
19	09108-10050	STUD BOLT	8	
20	09100-10157	BOLT	1	
21	09140-10031	NUT	8	
22	09162-10005	LOCK WASHER	9	
23	09206-11001	PIN	2	
24	52161-94500	HOUSING, bushing	1	
25	57130-94500	BUSHING, driveshaft	1	
26	09100-08232	BOLT	4	
27	09162-08007	LOCK WASHER	4	
28	09387-45001	RING	1	
29	04221-05109	PIN	2	
30	52122-94500	SPACER, cover	1	
31	09100-06118	BOLT	1	

FIG. 26

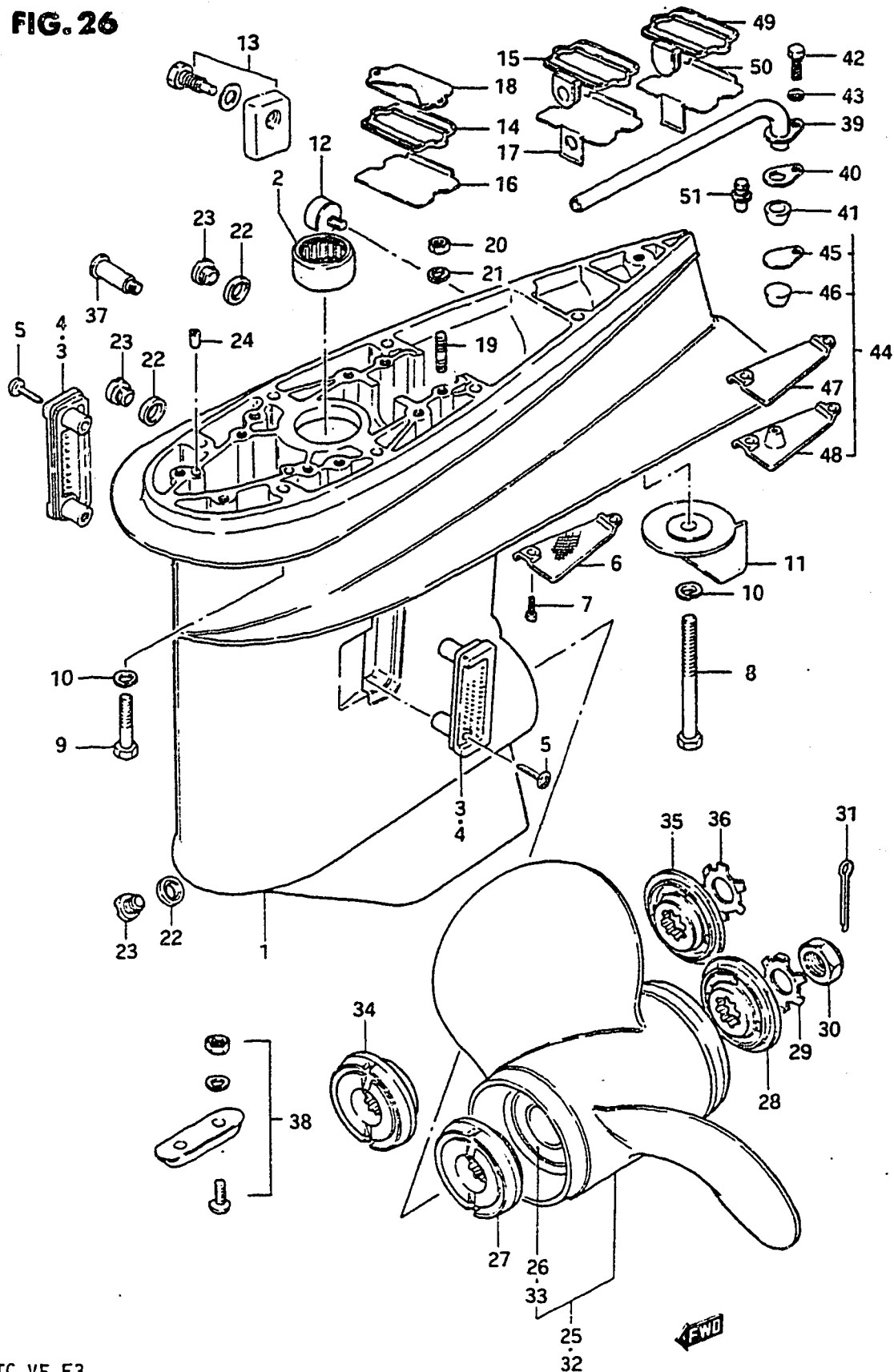


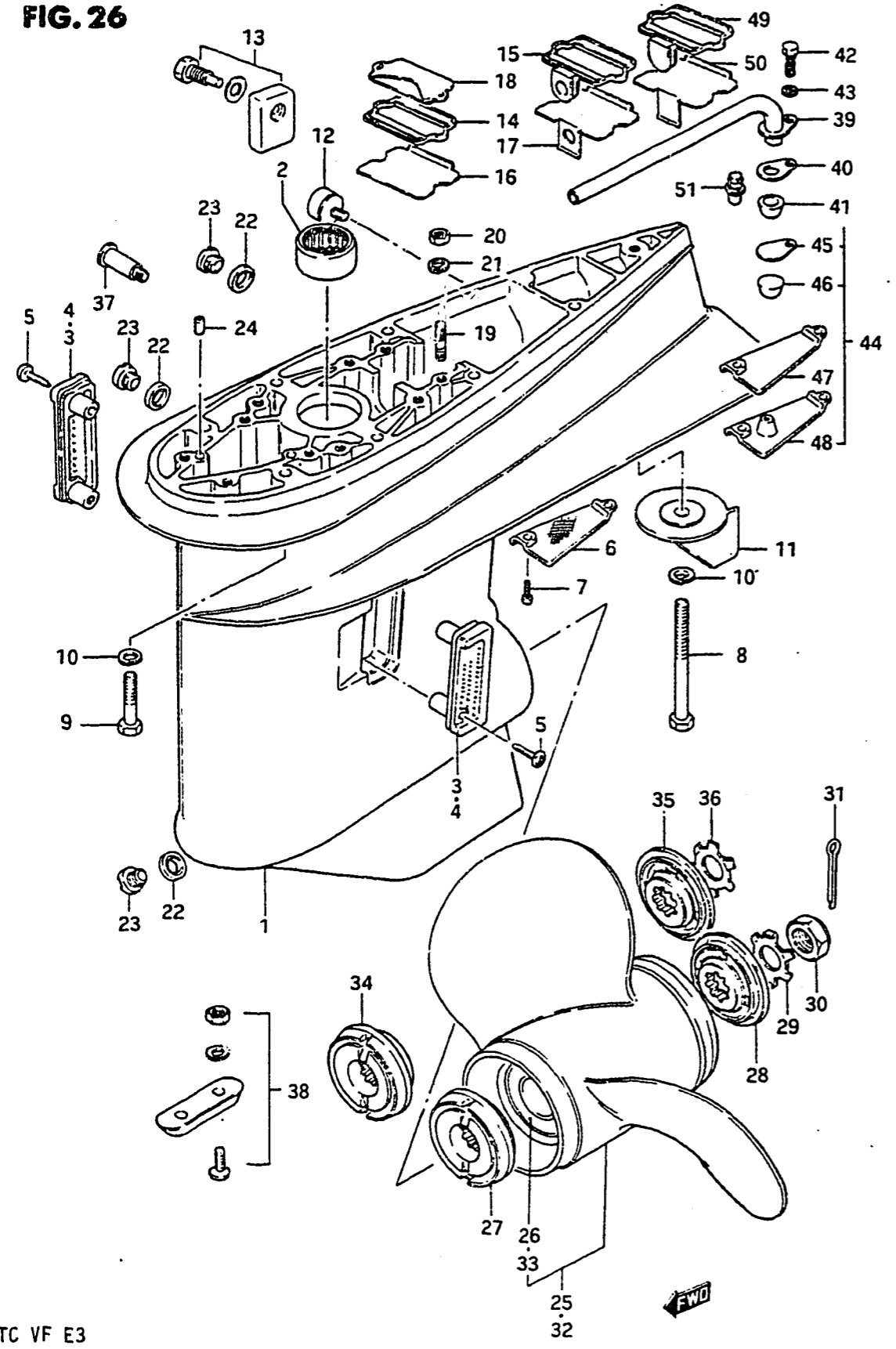
FIG. 26 (E- 4) GEAR CASE

REF.NO.	PART NO.	DESCRIPTION	Q'TY	REMARKS
1-1	55100-94504-02M	CASE ASSY, gear	1	-406441
1-2	55100-94507-02M	CASE ASSY, gear	1	406442-
2-1	09263-28014	.BEARING, pinion	1	model QD
2-2	09263-28016	.BEARING, pinion	1	model VE/VF
3-1	17631-94502	FILTER, water	2	-304871
3-2	17631-94990	FILTER, water	2	304872-305081
4	17631-95202	FILTER, water	2	model VE/VF
5-1	03112-06309	TAPPING SCREW	2	-304871
5-2	03112-04309	TAPPING SCREW	2	304872-
6	17635-94500	FILTER, water sub	1	model VE/VF
7	09125-05046	SCREW	2	model VE/VF
8	09100-10158	BOLT (10x100)	1	
9	09100-10157	BOLT (10x45)	8	
10-1	09162-10002	LOCK WASHER	9	model QD
10-2	09162-10005	LOCK WASHER	9	model VE/VF
11	55125-94502	TRIM TAB	1	
12	55320-93142	ZINC, protection	1	model QD
13	55320-95310	ZINC, protection	1	model VE/VF
14	55332-94503	RUBBER, exhaust seal	1	model QD
15	55332-94510	RUBBER, exhaust seal	1	model VE/VF
16	55333-94500	PLATE	1	model QD
17	55333-94510	PLATE	1	model VE/VF
18	55334-94500	COVER	1	
19-1	09108-06022	STUD BOLT	2	-305081
19-2	09108-06062	STUD BOLT	2	405082-
20	09140-06020	NUT	2	
21	09162-06001	LOCK WASHER	2	
22	09168-10022	GASKET	3	
23-1	09248-10004	PLUG, drain	3	model QD
23-2	09248-10005	PLUG, drain	3	model VE/VF
24	09206-11001	PIN (L:12)	2	
25-1	58100-95511-01T	PROPELLER (3x13-1/4x17)	1	U1700
25-2	58100-95521-01T	PROPELLER (3x13x19)	1	U1900
26	58120-95500	.BUSH	1	

FIG. 26

FIG. 26 (E-5) GEAR CASE

Q'TY



REF.NO.	PART NO.	DESCRIPTION	Q'TY	REMARKS
27	57635-95503	STOPPER	1	U TYPE
28-1	57633-95500	SPACER	1	U TYPE,model QD/VE
28-2	57633-95501	SPACER	1	U TYPE,model VF
29	57635-95300	WASHER	1	U TYPE
30	09159-18004	NUT	1	
31	09204-03003	COTTER PIN	1	
32-1	58100-94553-15M	PROPELLER (3x13-1/2x15)	1	VS1500 - Stainless
32-2	58100-94500-01T	PROPELLER (3x13-1/2x15)	1	V1500
32-3	58100-94580-15M	PROPELLER (3x13-1/4x17)	1	VS1700 - Stainless
32-4	58100-94512-01T	PROPELLER (3x13-1/4x17)	1	V1700
32-5	58100-94560-15M	PROPELLER (3x13x19)	1	VS1900 - Stainless
32-6	58100-94542-01T	PROPELLER (3x13x19)	1	V1900
32-7	58100-94570-15M	PROPELLER (3x13x21)	1	VS2100 - Stainless
32-8	58100-94552-01T	PROPELLER (3x13x21)	1	V2100(STD)
33	58120-94520	.BUSH	1	
34-1	57635-94501	STOPPER	1	V TYPE,model QD/VE
34-2	57635-94502	STOPPER	1	V TYPE,model VF
35	57633-94500	SPACER	1	V TYPE
36	57634-94500	WASHER	1	V TYPE
37	55181-95200	ATTACHMENT, flush hose	1	
38	55300-95500	ZINC, protection	1	OPT
39	17520-94500	TUBE, water sub	1	404979-
40	17523-94500	GASKET	1	404979-
41	17564-94500	BUSH	1	404979-
42	09100-06115	BOLT (6x15)	1	404979-
43	09162-06001	LOCK WASHER	1	404979-
44	17500-94520	SEAL ASSY, exhaust	1	OPT,model VE/VF
45	17522-94520	.PLATE, gear case plug	1	OPT,model VE/VF
46	17564-94520	.PLUG, gear case	1	OPT,model VE/VF
47	17635-94520	.PLATE, gear case	1	OPT,model VE
48	17635-94521	.PLATE, gear case	1	OPT,model VF
49	55332-94520	.RUBBER, exhaust seal	1	OPT,model VE/VF
50	55333-94520	.PLATE, exhaust seal under	1	OPT,model VE/VF
51	17636-94500	PLUG, sub water tube	1	OPT

FIG. 27

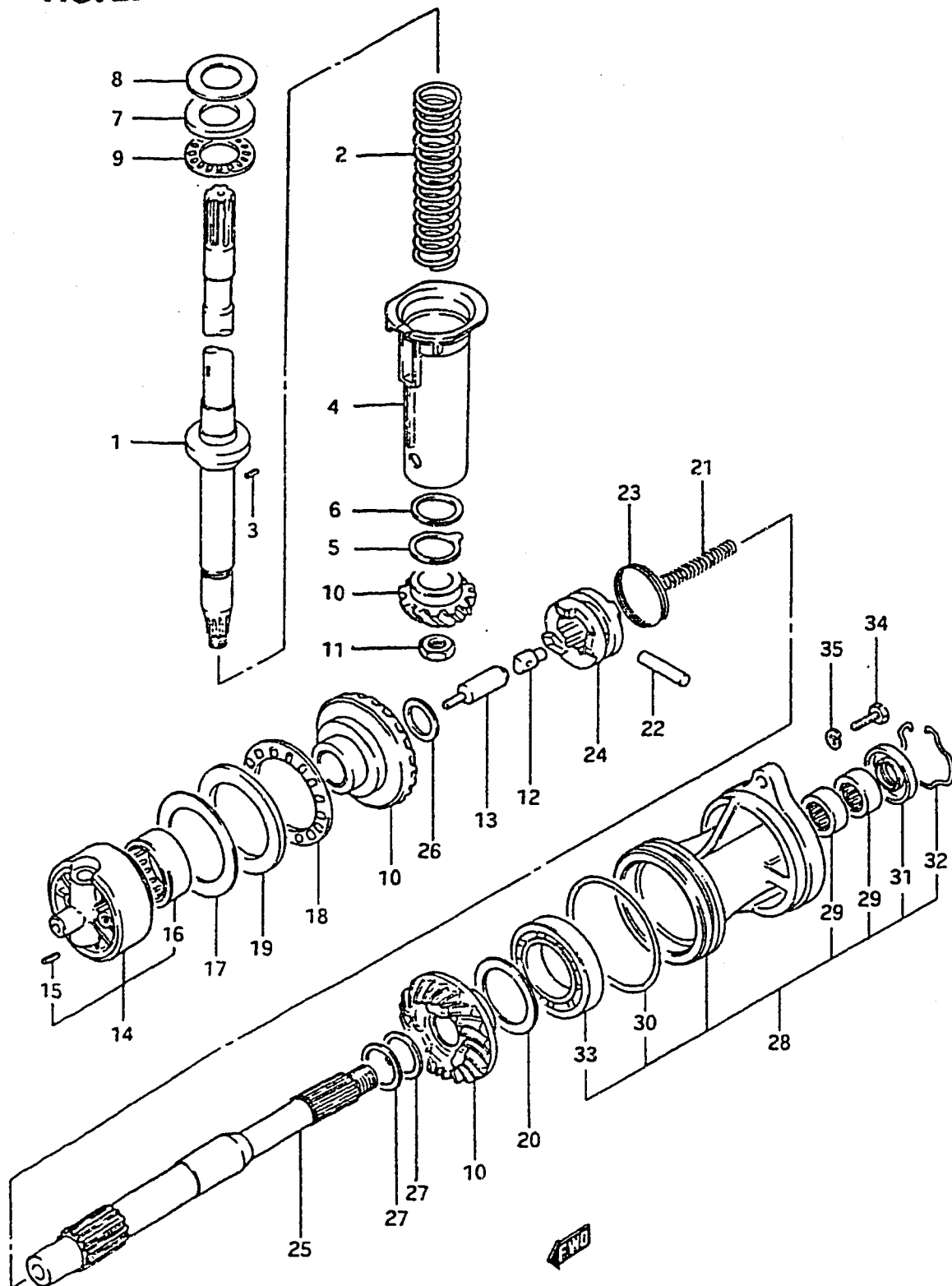


FIG. 27 (E- 6) TRANSMISSION

REF.NO.	PART NO.	DESCRIPTION	Q'TY	REMARKS
1-1	57100-94501	SHAFT ASSY, drive	1	L TYPE
1-2	57100-94511	SHAFT ASSY, drive	1	X TYPE
2	09440-31003	.SPRING, drive shaft	1	
3	09205-04008	.PIN	1	
4	57133-94502	COLLER, drive shaft spring	1	
5	09166-30006	THRUST WASHER (T:2.5)	1	
6	09160-30031	THRUST WASHER (T:2.5)	1	
7	09160-32005	THRUST WASHER (T:4.25)	1	
8-1	09181-30011	SHIM (T:0.7)	1	
8-2	09181-30012	SHIM (T:0.8)	1	
8-3	09181-30013	SHIM (T:0.9)	1	
8-4	09181-30014	SHIM (T:1.0)	1	
8-5	09181-30015	SHIM (T:1.1)	1	
8-6	09181-30016	SHIM (T:1.2)	1	
8-7	09181-30017	SHIM (T:1.3)	1	
8-8	09181-30018	SHIM (T:0.6)	1	
9	09269-30008	BEARING	1	
10-1	57300-94821	PINION/GEAR SET	1	model QD
10-2	57300-94830	PINION/GEAR SET	1	model VE/VF
11	09140-16021	NUT	1	
12-1	57632-95501	PIN, push (ID:6)	1	model QD
12-2	09209-12007	PIN, push (ID:7)	1	model VE/VF
13-1	57631-94500	ROD, push (L:77)	1	model QD
13-2	57631-94501	ROD, push (L:77)	1	model VE/VF
13-3	57631-94511	ROD, push (L:76.5)	1	
13-4	57631-94521	ROD, push (L:77.5)	1	
14-1	56140-94501	HOUSING, forward gear bearing	1	model QD
14-2	56140-94510	HOUSING, forward gear bearing	1	model VE/VF
15	09205-05011	.PIN (L:14)	1	
16	09263-50001	.BEARING	1	
17-1	09181-70001	SHIM (T:0.7)	0-1	
17-2	09181-70002	SHIM (T:0.8)	1	
17-3	09181-70003	SHIM (T:0.9)	1	
17-4	09181-70004	SHIM (T:1.0)	1	
17-5	09181-70005	SHIM (T:0.5)	0-1	
17-6	09181-70006	SHIM (T:0.6)	0-2	

FIG. 27

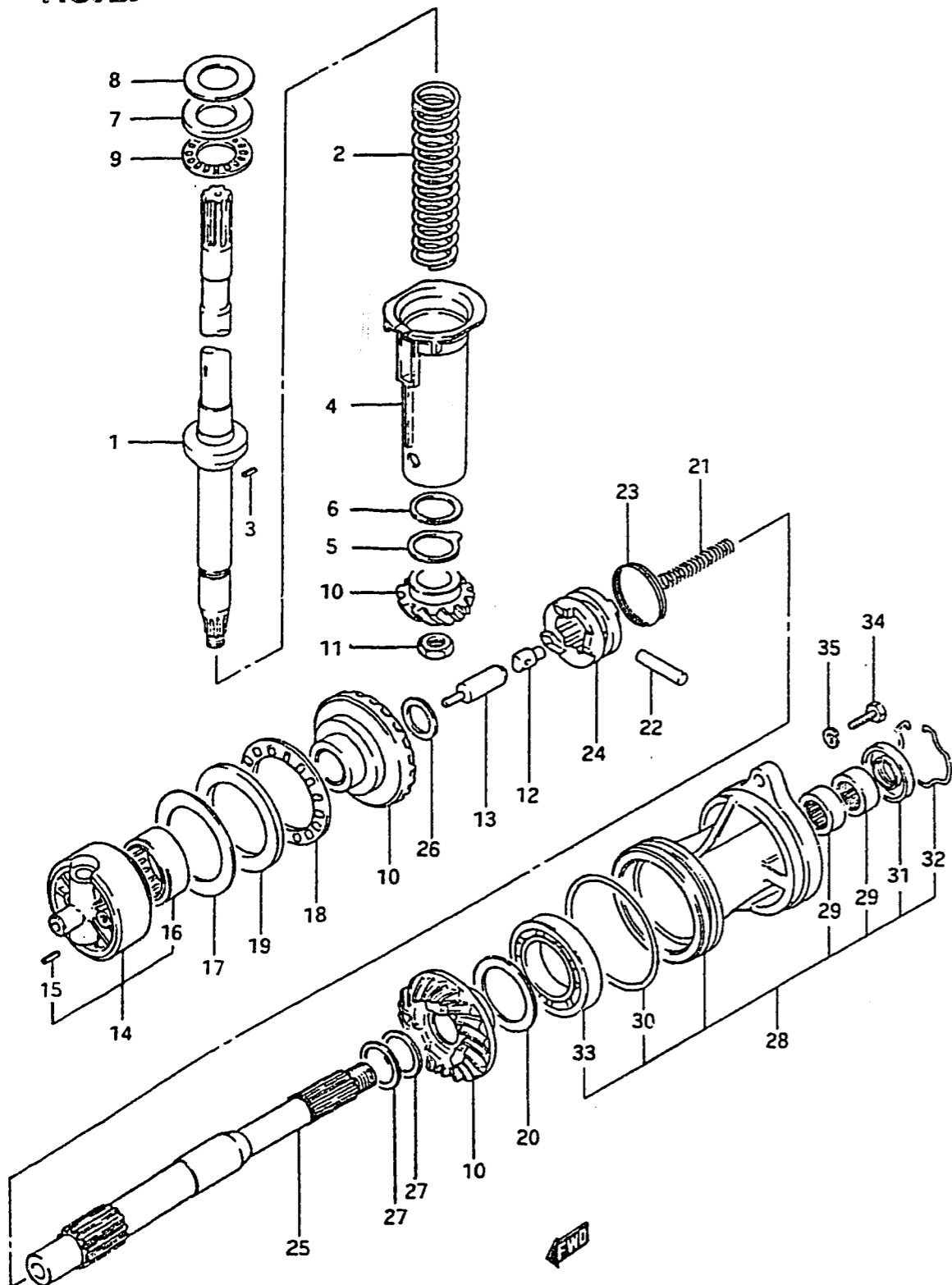


FIG. 27 (E- 7) TRANSMISSION

REF.NO.	PART NO.	DESCRIPTION	Q'TY	REMARKS
18	09269-70001	BEARING	1	
19	09160-70002	THRUST WASHER (T:5.25)	1	
20-1	09181-45003	SHIM (T:1.0)	1	
20-2	09181-45004	SHIM (T:1.1)	1	
20-3	09181-45005	SHIM (T:1.2)	1	
20-4	09181-45006	SHIM (T:1.3)	1	
20-5	09181-45007	SHIM (T:1.4)	1	
20-6	09181-45008	SHIM (T:1.5)	1	
20-7	09181-45009	SHIM (T:1.6)	1	
21-1	09440-08017	SPRING (D:1.4)	1	model QD
21-2	09440-11020	SPRING (D:1.8)	1	model VE/VF
22-1	09202-06020	PIN (6x48)	1	model QD
22-2	09202-07002	PIN (7x48)	1	model VE/VF
23-1	09440-49001	SPRING (L:30)	1	
23-2	09440-50002	SPRING (L:6.75)	1	
24-1	57621-94503	SHIFTER, clutch dog	1	model QD
24-2	57621-94510	SHIFTER, clutch dog	1	-406086
24-3	57621-94511	SHIFTER, clutch dog	1	406087-406554
24-4	57621-94512	SHIFTER, clutch dog	1	406555-
25-1	57610-94504	SHAFT, propeller	1	model QD
25-2	57610-94505	SHAFT, propeller	1	model VE
25-3	57610-94506	SHAFT, propeller	1	model VF
26	09181-25030	THRUST WASHER (T:3.0)	1	
27-1	09160-28013	THRUST WASHER (T:1.0)	0-2	
27-2	09160-28014	THRUST WASHER (T:1.2)	0-2	
27-3	09160-28015	THRUST WASHER (T:1.4)	0-2	
27-4	09160-28016	THRUST WASHER (T:1.6)	0-2	
27-5	09160-28018	THRUST WASHER (T:1.3)	0-2	

FIG. 27

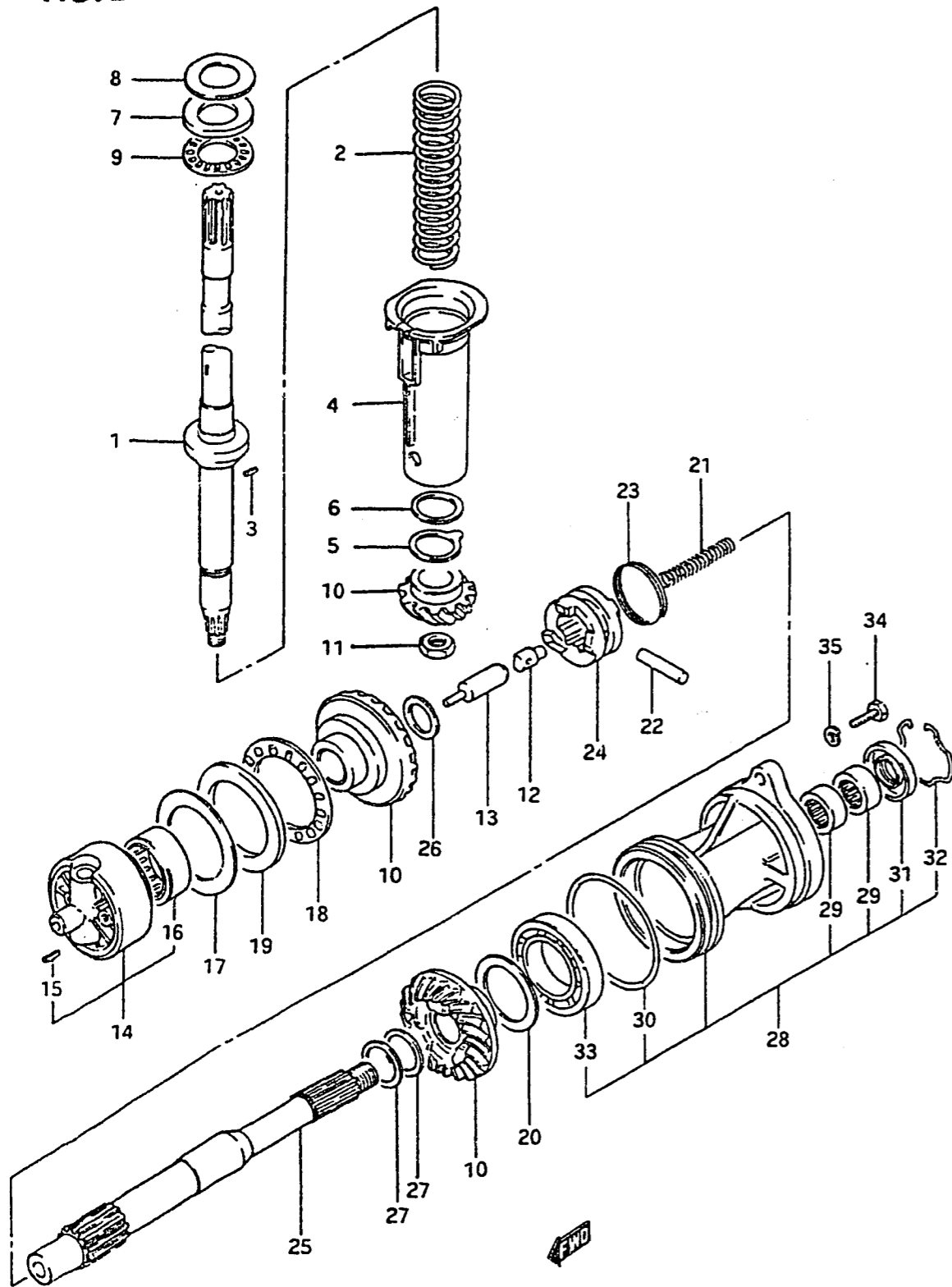


FIG. 27 (E- 8) TRANSMISSION

REF.NO.	PART NO.	DESCRIPTION	Q'TY	REMARKS
28-1	56120-94501	HOUSING, propeller shaft	1	model QD
28-2	56120-94502	HOUSING, propeller shaft	1	model VE/VF
29	09263-28013	.BEARING	2	
30	09280-97001	.O RING	1	
31-1	09289-28006	.OIL SEAL	1	model QD
31-2	09282-28002	.OIL SEAL	2	model VE/VF
32	09387-52001	.RING	1	
33	08113-60090	.BEARING	1	
34	09100-08232	BOLT (8x30)	2	
35	09162-08007	LOCK WASHER	2	

FIG. 28

FIG. 28 (E- 9) LOWER COVER

Q'TY

REF.NO.	PART NO.	DESCRIPTION	Q'TY	REMARKS
1-1	61110-94507-02M	COVER, lower	1	model QD
1-2	61110-94508-02M	COVER, lower	1	model VE/VF
2	61131-94502-02M	COVER, engine holder RH	1	
3	61141-94503-02M	COVER, engine holder LH	1	
4-1	13873-20300	TUBE, drain	1	model QD
4-2	61139-94500	TUBE, drain	1	model VE/VF
5	13979-37400	RETAINER, drain tube	1	
6-1	61112-94501	SEAL, lower cover upper	1	model QD/VE
6-2	61112-94502	SEAL, lower cover upper	1	model VF
7	61113-94503	SEAL, lower cover lower	1	
8	61115-94503	HOLDER, front	1	
9	61116-94501	HOLDER, locating bracket rear	1	
10	61631-94500	HOOK, locating holder	2	
11	09100-06115	BOLT	2	
12	09162-06001	LOCK WASHER	2	
13-1	09100-06083	BOLT (6x30)	4	-304983
13-2	09100-06120	BOLT (6x25)	4	304984-
14	09160-06082	WASHER	4	
15	09160-06082	WASHER	0-12	
16-1	09100-06083	BOLT (6x30)	4	model QD/VE
16-2	09128-06052	BOLT (6x30)	4	model VF
17	09162-06001	LOCK WASHER	4	model QD/VE
18-1	09100-08178	BOLT (8x50)	4	model QD/VE
18-2	09100-09214	BOLT (8x50)	4	model VF
19-1	09160-08015	WASHER (8.5x16x1.2)	6	model QD/VE
19-2	09160-08082	WASHER (8.5x16x1.2)	6	model VF
19-3	09181-08005	WASHER (8.5x16x0.5)	2	model QD/VE
19-4	09181-08007	WASHER (8.5x16x0.5)	2	model VF
20	09162-08007	LOCK WASHER	4	
21	09100-06089	BOLT (6x25)	1	

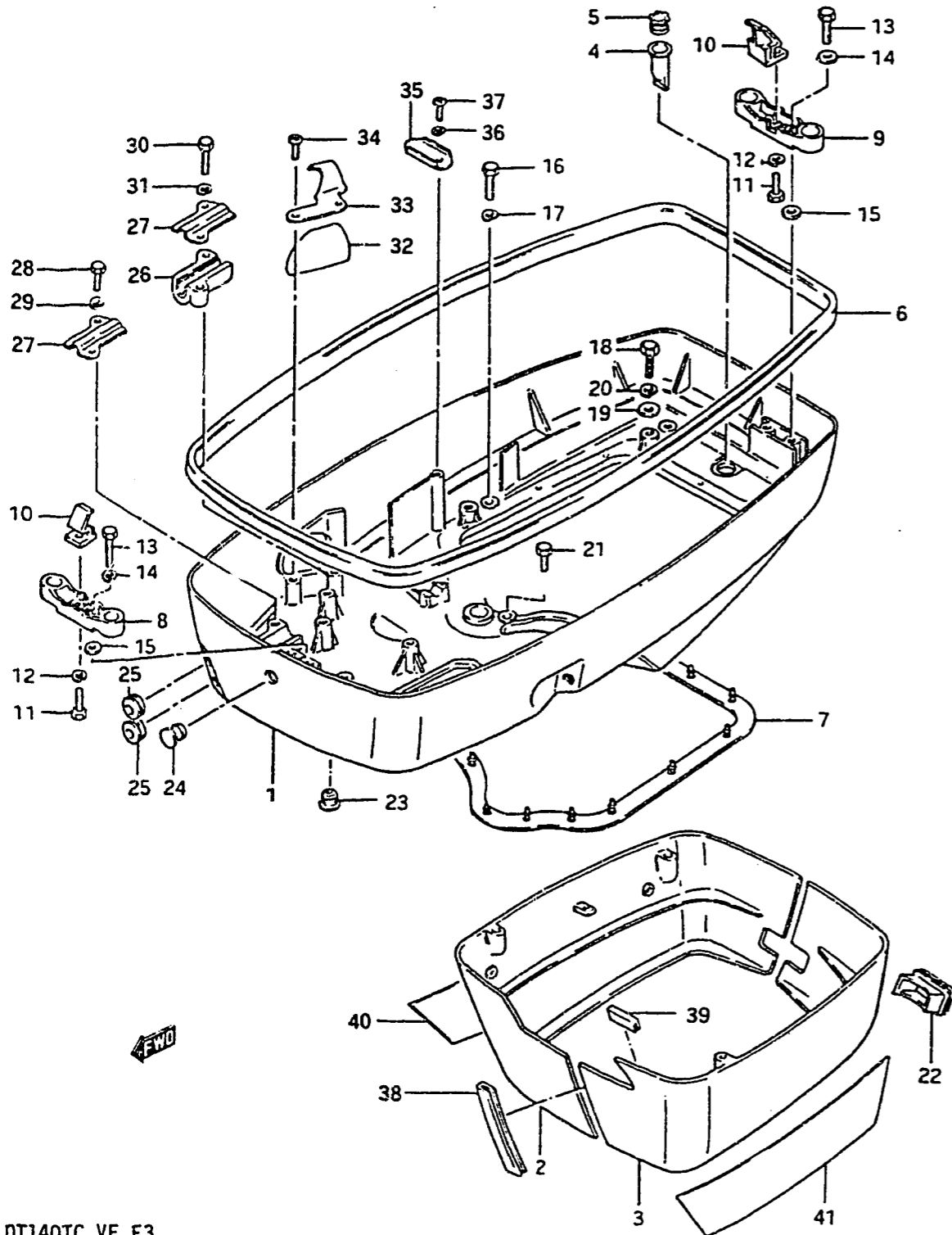
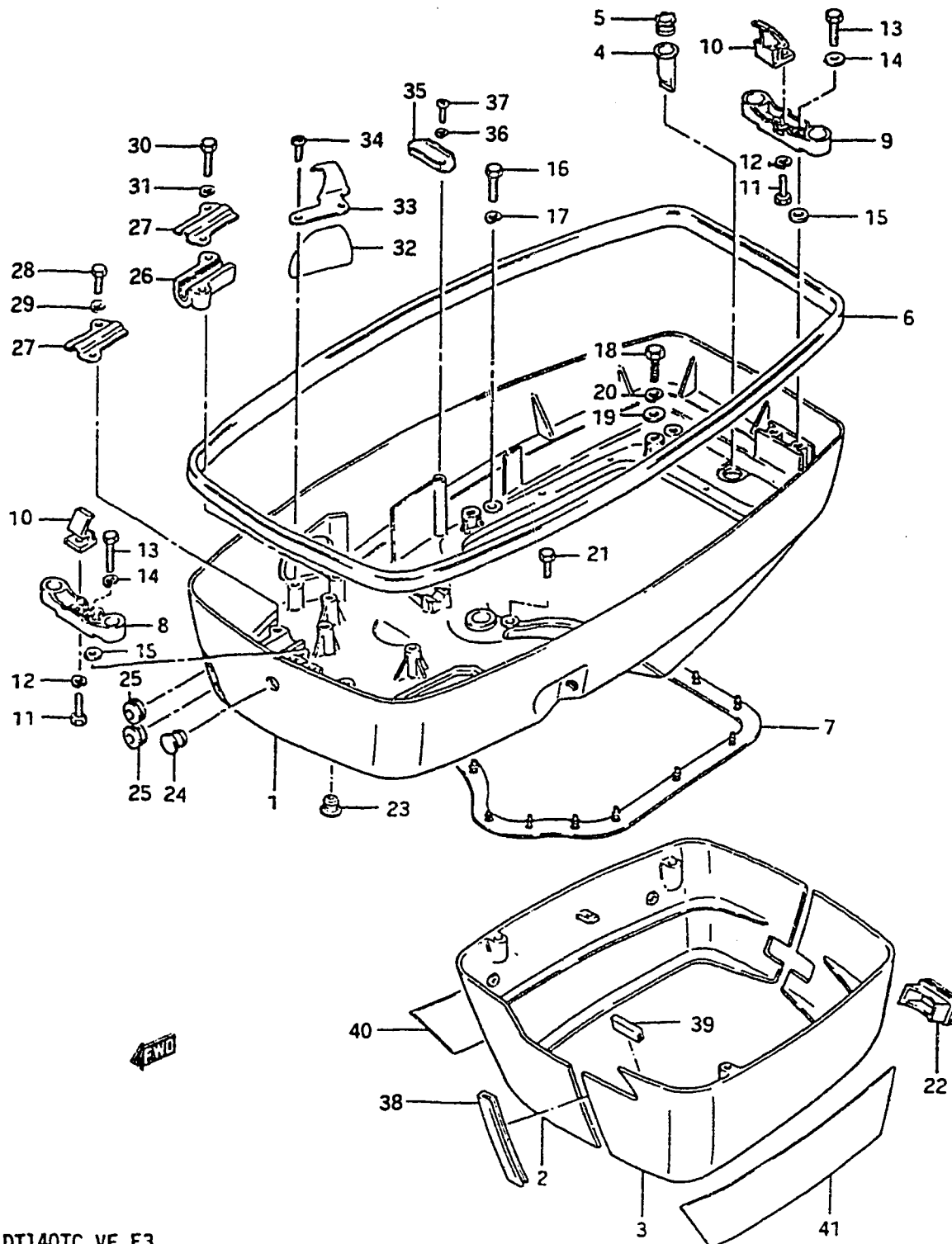


FIG. 28

FIG.28 (E-10) LOWER COVER

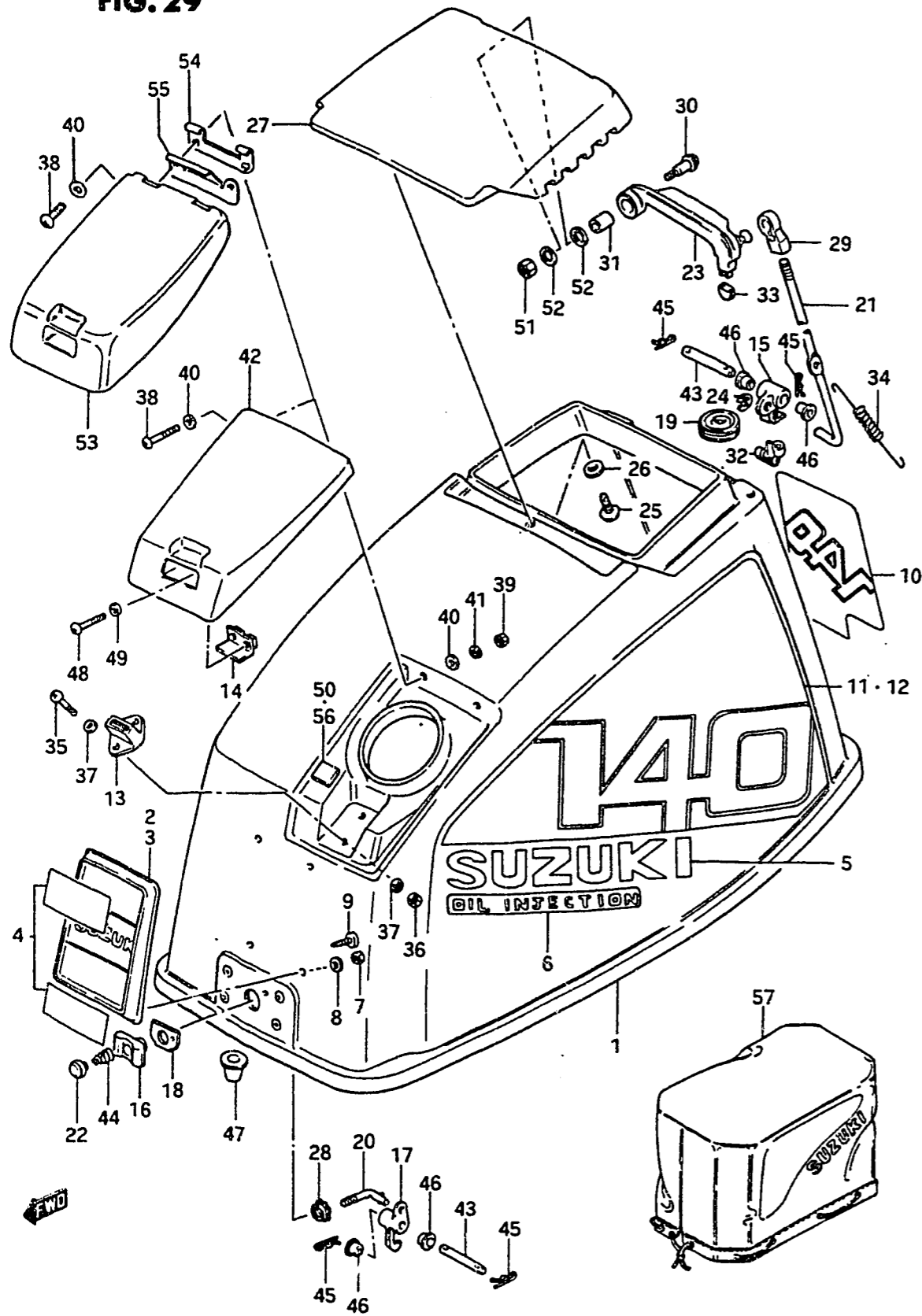


Q'TY

REMARKS

REF.NO.	PART NO.	DESCRIPTION	Q'TY	REMARKS
22	61142-94502	GROMMET	1	
23	09250-09001	CAP, steering joint	1	
24	09250-10012	CAP, carburetor adjust	1	
25	09308-08013	GROMMET, remocon cable	2	
26	67271-94500	HOLDER, remocon cable	1	
27-1	67276-94501	PLATE, remocon cable holder	2	model QD/VE
27-2	67276-94502	PLATE, remocon cable holder	2	model VF
28-1	09100-06019	BOLT (6x16)	2	model QD/VE
28-2	09100-06117	BOLT (6x35)	2	model VF
29-1	09162-06001	LOCK WASHER	2	model QD/VE
29-2	09162-06006	LOCK WASHER	2	model VF
30	09100-06117	BOLT (6x35)	2	
31	09162-06001	LOCK WASHER	2	
32-1	36656-94502	GROMMET, cable	1	model QD
32-2	36656-94511	GROMMET, cable	1	model VE/VF
33	36659-94503	CLAMP, grommet	1	
34	09125-06021	SCREW	2	
35	33815-94500	PROTECTOR	1	
36	08321-21067	LOCK WASHER	1	
37	02112-06128	SCREW	1	
38	13851-95210	CUSHION	1	L:585→82
39	61136-94500	CUSHION	2	L:30
40	61221-94560	TAPE, lower cover RH	1	
41	61231-94560	TAPE, lower cover LH	1	

FIG. 29



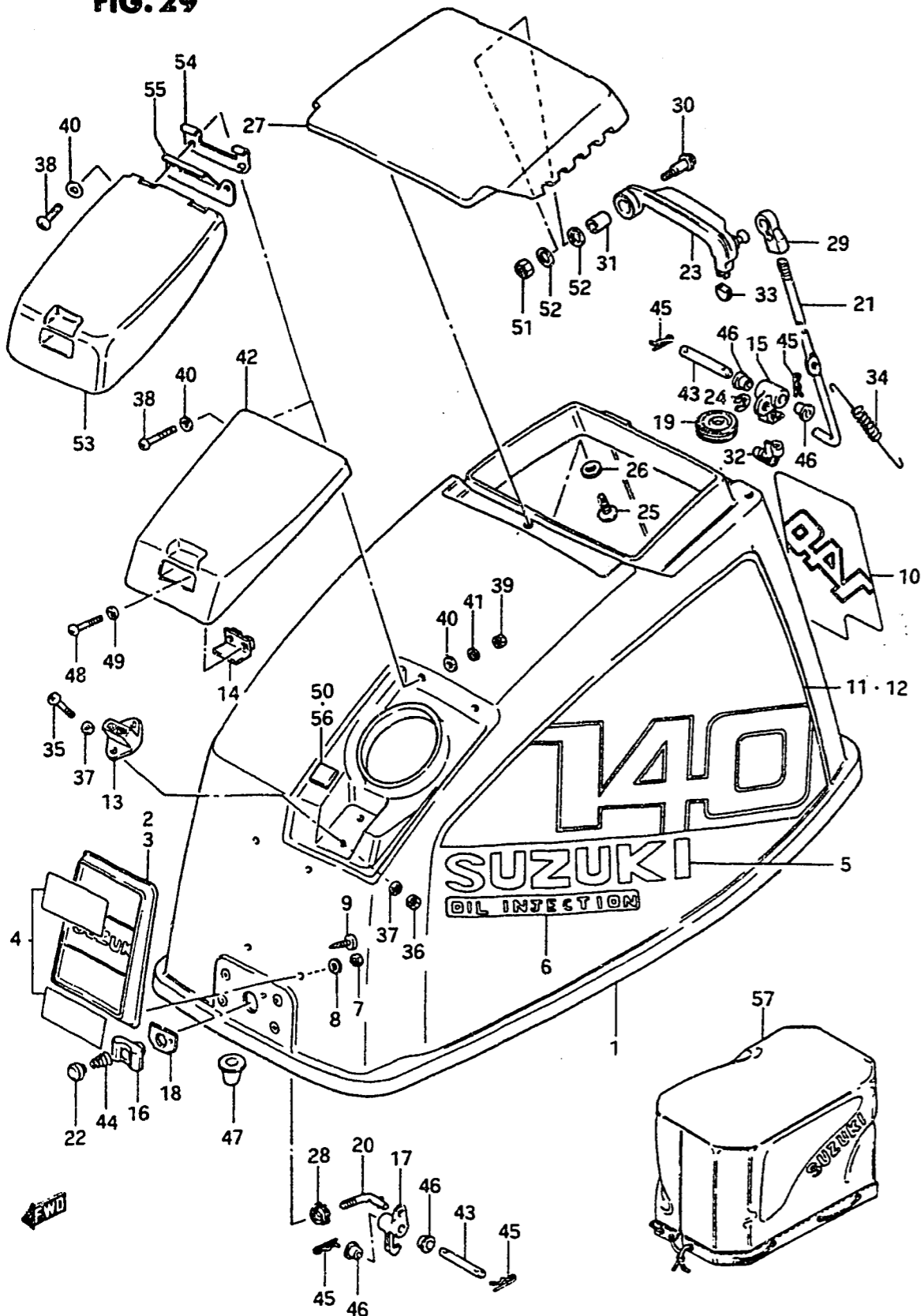
DT140TC VF E3

FIG.29 (E-11) ENGINE COVER

REF.NO.	PART NO.	DESCRIPTION	Q'TY	REMARKS
1-1	61400-94890-02M	COVER SET, engine	1	model QD
1-2	61400-94891-02M	COVER SET, engine	1	model VE/VF
2	61420-95510	.EMBLEM, front	1	model QD/VE
3	61421-94400	.EMBLEM, front	1	model VF
4	61422-95561	.MARK, upper	1	
5	61441-94560	.EMBLEM, side	2	
6	61442-94560	.MARK, oil injection	2	
7	09140-05001	.NUT	4	model QD/VE
8	09160-05024	.WASHER	4	model QD/VE
9	03242-05109	.SCREW	4	model VF
10	61435-94570	.EMBLEM, rear	1	
11	61443-94570	.TAPE, stripe RH	1	
12	61453-94570	.TAPE, stripe LH	1	
13	61540-94500	.MAGNET, oil filler lid catch	1	-304382
14	61551-94502	.RETAINER, magneto catch	1	-304382
15	61641-94501	.HOOK, cover release	1	
16	61651-95501	.HOLDER, hook spring	1	
17	61641-95500	.HOOK, release	1	
18	61652-95500	.PACKING, hook spring holder	1	
19	61652-94501	.GROMMET, latch release rod	1	
20	61653-95501	.SHAFT, release hook	1	
21-1	61653-94501	.ROD, latch release	1	model QD
21-2	61653-94502	.ROD, latch release	1	model VE/VF
22	61660-95500	.KNOB, hook	1	
23-1	61661-94500	.LEVER, lower cover latch	1	model QD
23-2	61661-94501	.LEVER, lower cover latch	1	model VE/VF
24	09383-03001	.E RING	1	for 61653-94502
25	03242-06169	.SCREW, tilt handle	4	
26	08322-21067	.WASHER	4	
27-1	61431-94500-02M	.HANDLE, tilt up	1	-304637
27-2	61431-94501-02M	.HANDLE, tilt up	1	304638-
28	61654-95500	.NUT	1	
29-1	19131-95501	.CONNECTOR, latch release rod	1	model QD/VE
29-2	19131-95502	.CONNECTOR, latch release rod	1	model VF
30	09103-06046	.BOLT	1	model QD
31	09180-06097	.SPACER	1	model QD

DT140TC VF E3

FIG. 29



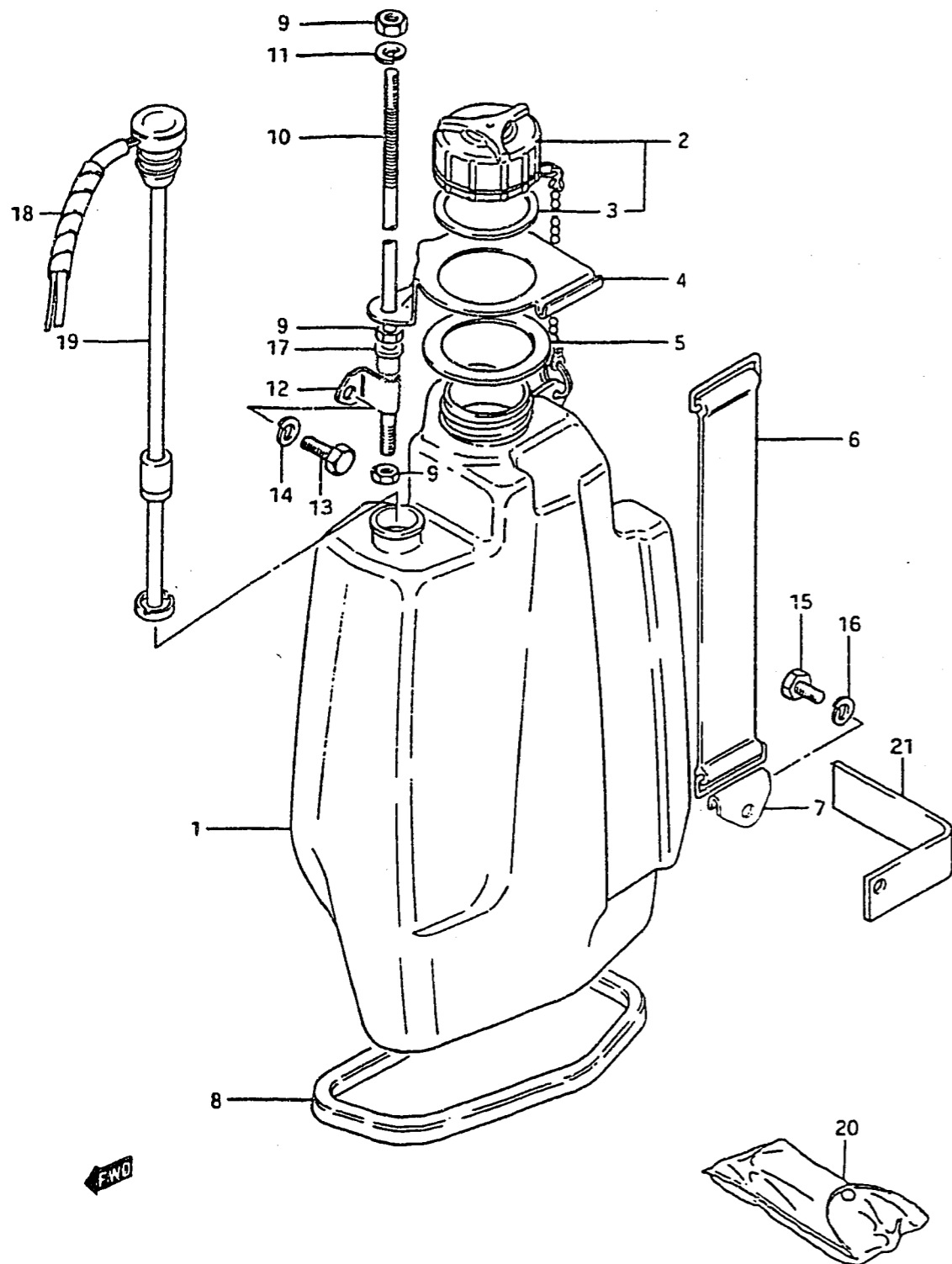
44

FIG. 29 (E-12) ENGINE COVER

Q'TY

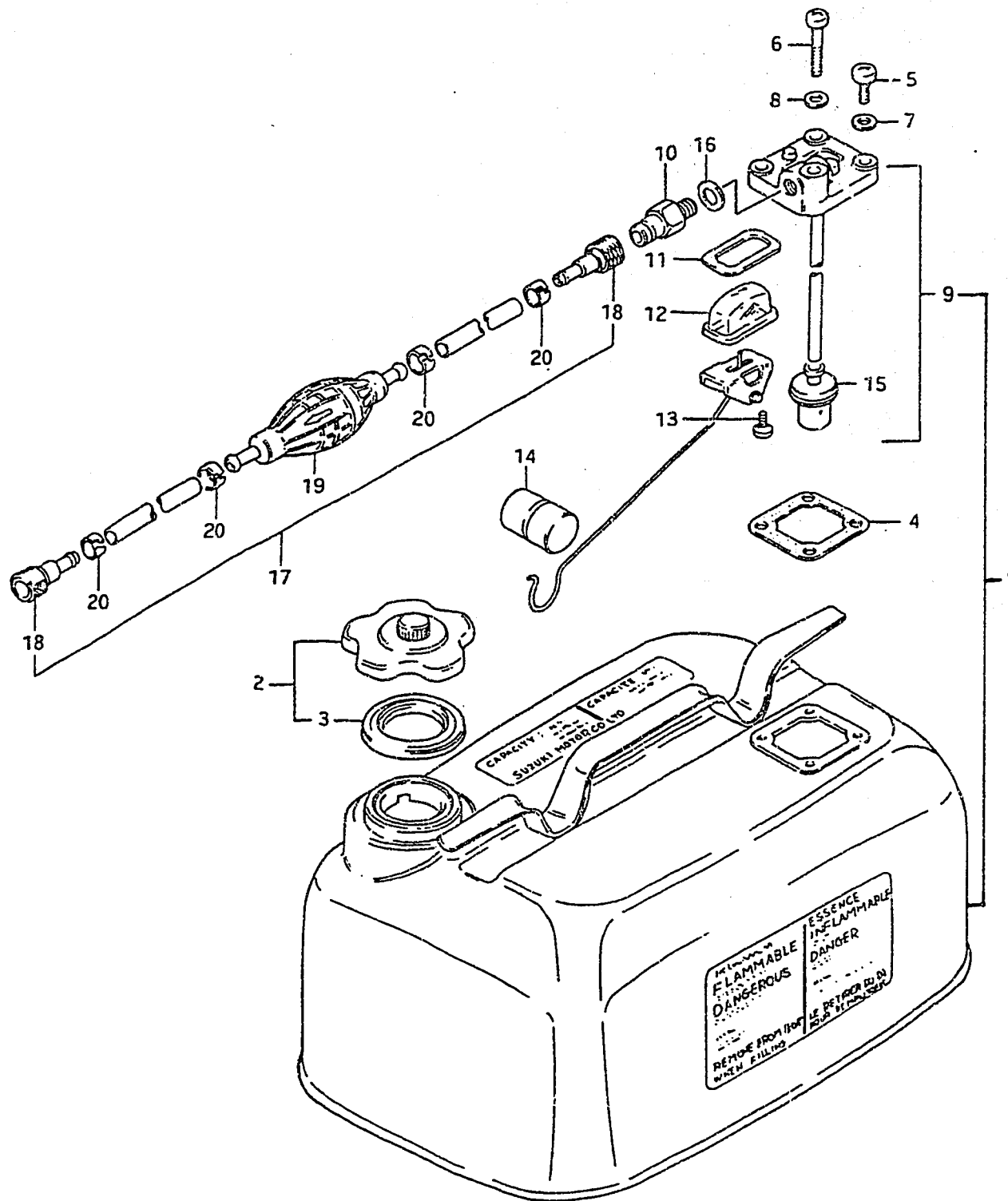
REF.NO.	PART NO.	DESCRIPTION	Q'TY	REMARKS
32	09209-05017	.PIN, linkage	1	
33	09259-04001	.STOPPER	1	model QD
34	09443-06040	.SPRING	1	
35	09125-05029	.SCREW	2	~304382
36	09140-05001	.NUT	2	~304382
37	09160-05010	.WASHER (5.5x10x0.8)	4	~304382
38	09125-06021	.SCREW	2	
39	09140-06020	.NUT	2	
40	09160-06055	.WASHER (7x12x1)	4	
41	08321-21067	.LOCK WASHER	2	
42	61480-94502-02M	.LID, oil tank filler	1	~304382, to 61481-94502-02M with 61482-94510, 61485-94500 and 61544-94500
43	61642-95500	.PIN	2	
44	09441-12001	.SPRING	1	
45	09385-06003	.PIN	4	
46	09301-06005	.BUSHING	4	
47	09329-08002	.CUSHION	4	
48	02112-04087	.SCREW	2	~304382
49	08322-21047	.WASHER	2	~304382
50	66511-78000	.PAD, oil tank filler lid	1	~304382
51	09140-06018	.NUT	1	model QD
52	09160-06062	.WASHER	2	model QD
53	61481-94502-02M	.LID, oil tank filler	1	304383-
54	61482-94510	.HINGE	1	304383-
55	61485-94500	.SPRING	1	304383-
56	61544-94500	.PAD	1	304383-
57	68110-94510	COVER, weather	1	OPT

FIG.30 (E-13) OIL TANK



REF.NO.	PART NO.	DESCRIPTION	Q'TY	REMARKS
1	69110-94500	TANK, oil	1	
2	69200-94502	CAP ASSY, oil tank filler	1	
3	69241-94500	.GASKET	1	
4	69311-94500	SUPPORT, oil tank	1	
5	09320-43001	CUSHION, upper	1	
6	09462-00074	BAND	1	
7	69321-94500	CLAMP, oil tank band	1	
8	09329-02003	CUSHION, lower	1	
9	09140-06004	NUT	3	
10-1	69331-94501	ROD, oil tank support rod	1	model QD
10-2	69331-94503	ROD, oil tank support rod	1	model VE/VF
11	09162-06001	LOCK WASHER	1	
12	69322-94501	CLAMP, oil tank support rod	1	
13	01107-06166	BOLT	1	
14	08321-21067	LOCK WASHER	1	
15-1	01107-06128	BOLT	1	model QD/VE
15-2	01107-06168	BOLT	1	model VF
16	08321-21067	LOCK WASHER	1	
17	69323-94500	CUSHION, tank support rod	1	
18	38423-95501	TUBE, oil level switch	1	
19-1	34860-94502	SWITCH, oil level	1	model QD
19-2	34860-94510	SWITCH, oil level	1	model VE/VF
20	09800-81800	TOOL	1	
21	69341-94500	STOPPER OIL TANK	1	

FIG.31 (E-14) FUEL TANK

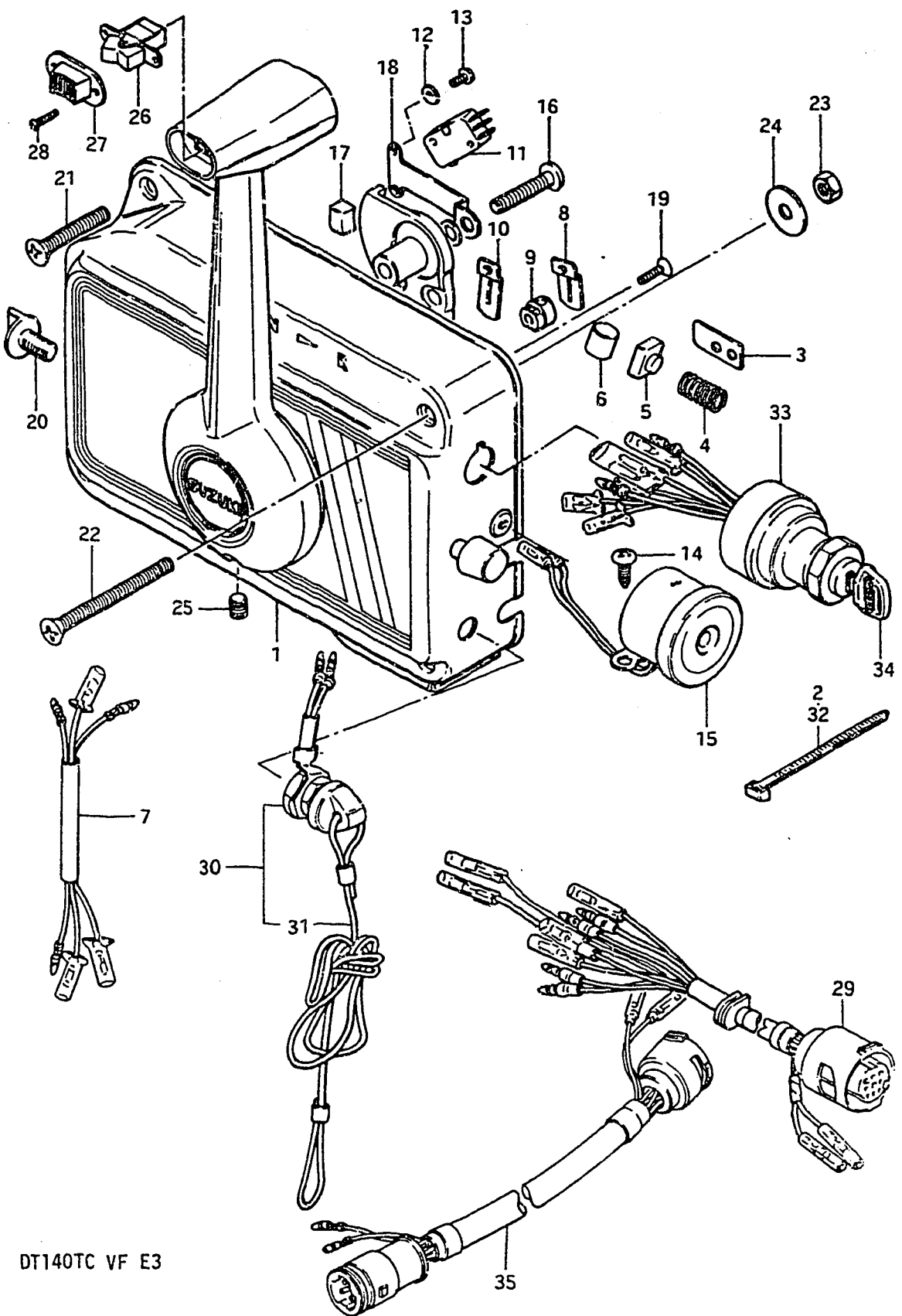


Q'TY

REMARKS

REF.NO.	PART NO.	DESCRIPTION	Q'TY	REMARKS
1-1	65000-95200	TANK SET, fuel (23L)	1	model QD 6 U.S.GAL./3.3 IMP.GAL.
1-2	65000-95201	TANK SET, fuel (23L)	1	model VE/VF 6 U.S.GAL./3.3 IMP.GAL.
2-1	65510-98506	.CAP	1	model QD
2-2	65510-98507	.CAP	1	model VE/VF
3	65561-98502	..GASKET	1	
4	65871-93010	..GASKET	1	
5	02112-06167	..SCREW	3	
6	02112-06407	..SCREW	1	
7-1	09168-06002	..WASHER	3	model QD/VE
7-2	09168-06002	..WASHER	4	model VF
8	08322-21068	..WASHER	1	model QD/VE
9-1	65850-95504	..GAUGE ASSY	1	model QD
9-2	65850-95505	..GAUGE ASSY	1	model VE
9-3	65850-95506	..GAUGE ASSY	1	model VF
10	65740-95500	..CONNECTOR, male fuel	1	OD:13
11	65854-93001	..GASKET, strainer	1	
12	65853-93001	..CAP	1	
13	02112-04108	..SCREW	2	
14	65864-95200	..FLOAT	1	
15	65830-95500	..FILTER	1	
16	09168-12001	..GASKET	1	
17	65700-95513	HOSE, tank / connector	1	
18	65750-95500	..CONNECTOR, female fuel	2	ID:13
19	65770-95501	..PUMP, squeeze	1	
20	65781-98500	..CLIP	4	

FIG. 32



DT140TC VF E3

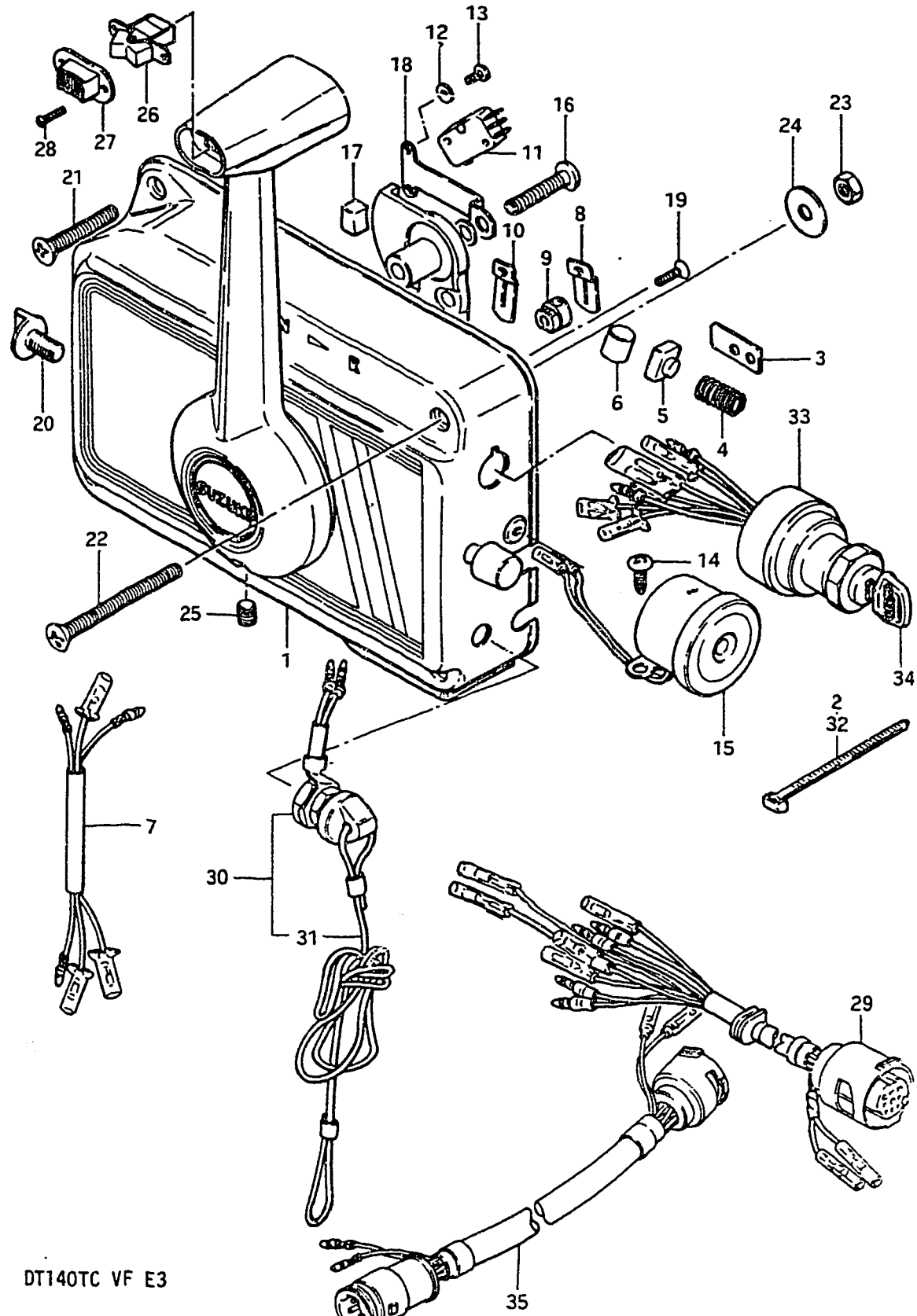
FIG.32 (F- 2) REMOTE CONTROL (1)

REF.NO.	PART NO.	DESCRIPTION	Q'TY	REMARKS
1	67200-94520	REMOTE CONTROL BOX ASSY	1	model QD
2	36632-95501	.CLAMP	3	
3	67271-95500	.PLATE	2	
4	67255-95500	.SPRING	1	
5	67254-95500	.BUSHING	1	
6	67253-95500	.ROLLER	1	
7	37863-95501	.CORD, trim	1	
8	67274-95500	.RETAINER, throttle	1	
9	67275-95500	.TRUNNION	2	
10	67272-95500	.RETAINER, clutch	1	
11	37721-95551	.SWITCH, neutral	1	
12	08323-31058	.WASHER	9	
13	02112-05107	.SCREW	9	
14	03142-05169	.TAPPING SCREW	2	
15	38500-94501	.BUZZER	1	
16	02112-06357	.SCREW	1	
17	67234-95500	.SHOW	1	
18	67233-95500	.RETAINER	1	
19	02122-04128	.SCREW	4	
20	67232-95500	.KNOB, brake	1	
21	02132-06408	.SCREW	1	
22	02132-06758	.SCREW	3	
23	08310-11067	.NUT	4	
24	67288-94310	.WASHER	4	
25	67249-95500	.SCREW	1	
26	37860-95501	.SWITCH, trim	1	
27	37864-95500	.CAP, switch	1	
28	09139-02003	.SCREW	2	
29	36620-94310	.WIRING HARNESS	1	
30	37820-96301	.SWITCH, emergency	1	
31	37823-95251	..CAP & ROPE	1	
32	36632-95501	.CLAMP	1	

DT140TC VF E3

FIG. 32

FIG. 32 (F- 3) REMOTE CONTROL (1)



REF.NO.	PART NO.	DESCRIPTION	Q'TY	REMARKS
33	37110-94301	.SWITCH, ignition	1	
34-1	37141-93300	..KEY, spare (8511)	1	
34-2	37141-93310	..KEY, spare (8512)	1	
34-3	37141-93320	..KEY, spare (8513)	1	
34-4	37141-93330	..KEY, spare (8611)	1	
34-5	37141-93340	..KEY, spare (8612)	1	
34-6	37141-93350	..KEY, spare (8613)	1	
35	36620-95320	WIRING HARNESS, extension	1	OPT

FIG. 33

FIG. 33 (F- 4) REMOTE CONTROL (2)

Q'TY

REMARKS

REF.NO.	PART NO.	DESCRIPTION	Q'TY	REMARKS
1	67200-95561	REMOTE CONTROL BOX	1	model VE
2	67296-94300	.SCREW	3	
3	37110-94301	.SWITCH ASSY, ignition	1	
4-1	37141-93300	..KEY, spare (8511)	1	
4-2	37141-93310	..KEY, spare (8512)	1	
4-3	37141-93320	..KEY, spare (8513)	1	
4-4	37141-93330	..KEY, spare (8611)	1	
4-5	37141-93340	..KEY, spare (8612)	1	
4-6	37141-93350	..KEY, spare (8613)	1	
5	67296-94310	.SCREW	6	
6	36622-94300	.CLAMP	2	
7	36632-95501	.CLAMP	1	
8	36620-94310	.WIRING HARNESS	1	
9	67275-94300	.CABLE END	2	
10	37820-96302	.SWITCH, emergency	1	
11	37823-95251	..CAP	1	
12	67288-94300	.WASHER	6	
13	67271-94300	.HOLDER, cable	1	
14	67288-94310	.WASHER	3	
15	09140-06020	.NUT	3	
16	09125-06012	.SCREW	3	
17	37119-94300	.BAND	3	
18	38500-95503	.BUZZER, warning	1	
19	38501-95500	.BAND, warning buzzer	1	
20	37721-95551	.SWITCH ASSY, neutral	1	
21	67230-95302	.LEVER ASSY	1	
22	37860-94300	..SWITCH, trim	1	
23	37864-95500	..CAP, switch	1	
24	09139-02003	..SCREW	2	

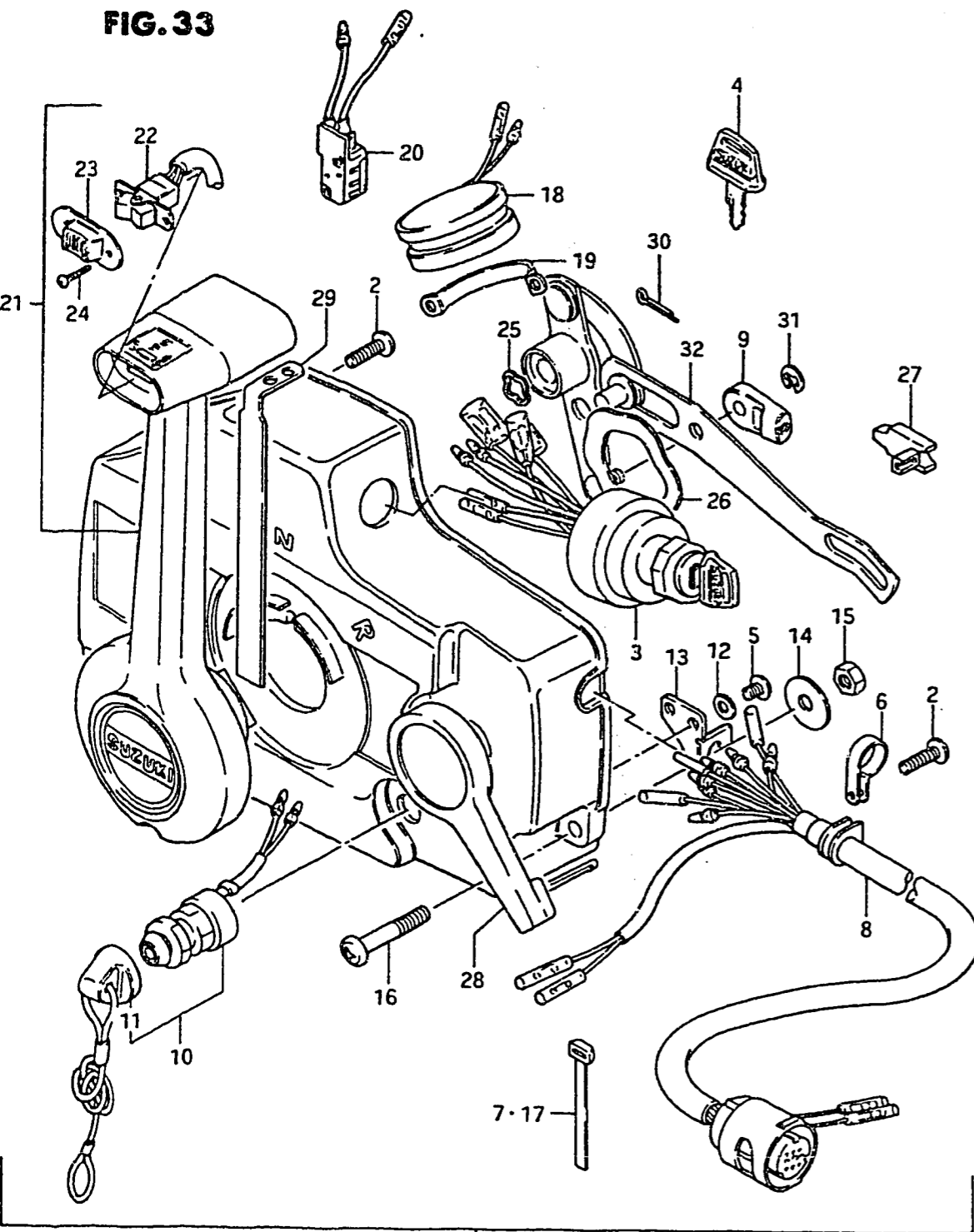


FIG. 33

50

FIG.33 (F- 5) REMOTE CONTROL (2)

Q'TY

REF.NO.	PART NO.	DESCRIPTION	REMARKS
25	67232-94300	.BUSH	1
26	67252-94300	.BUSH	1
27	67214-94300	.ACTUATOR	1
28	67241-94300	.LEVER, free throttle	1
29	67255-94300	.ARM, neutral lock	1
30	67293-94300	.PIN	1
31	67292-94300	.E RING	3
32	67220-94300	.PLATE ASSY	1

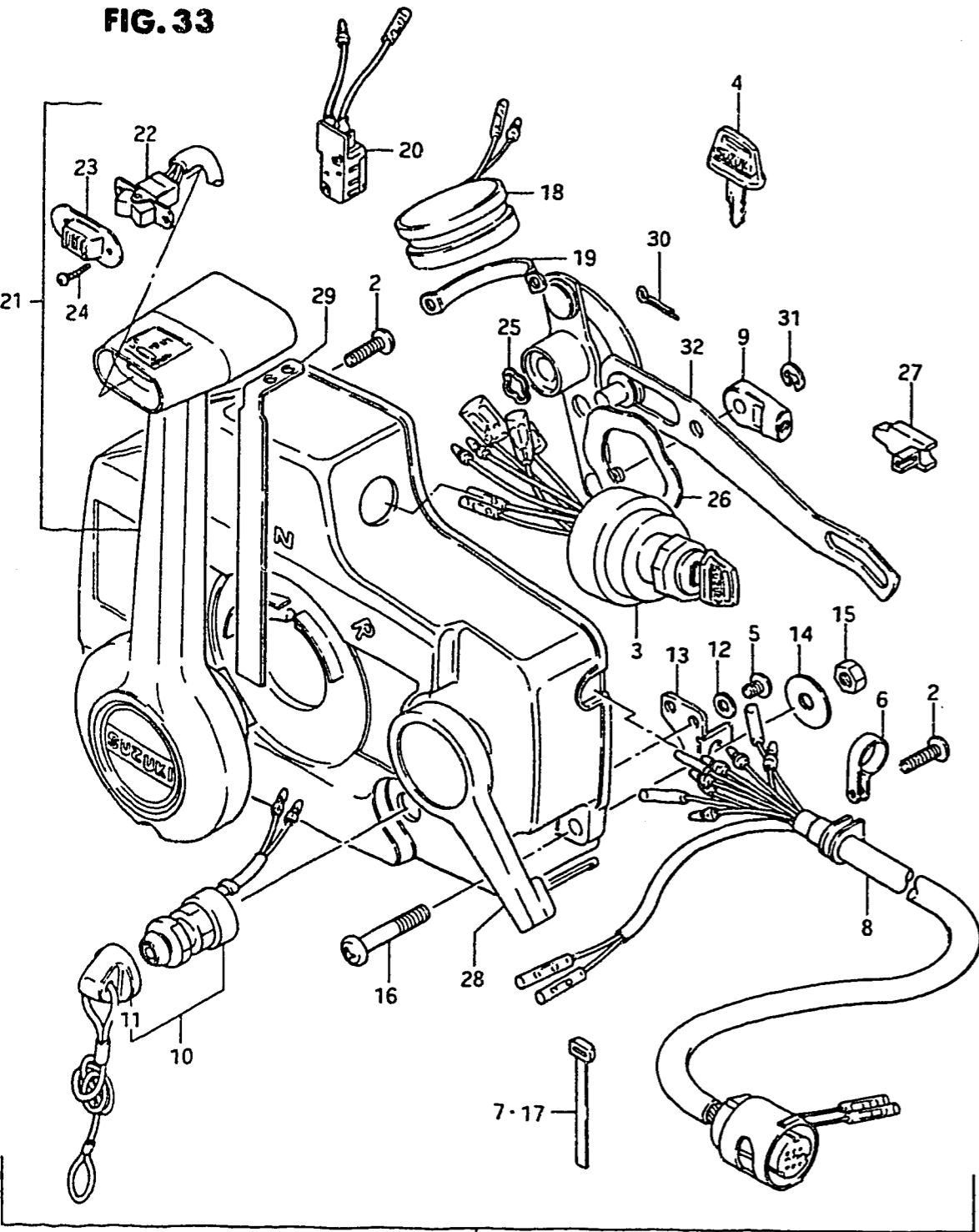


FIG. 34

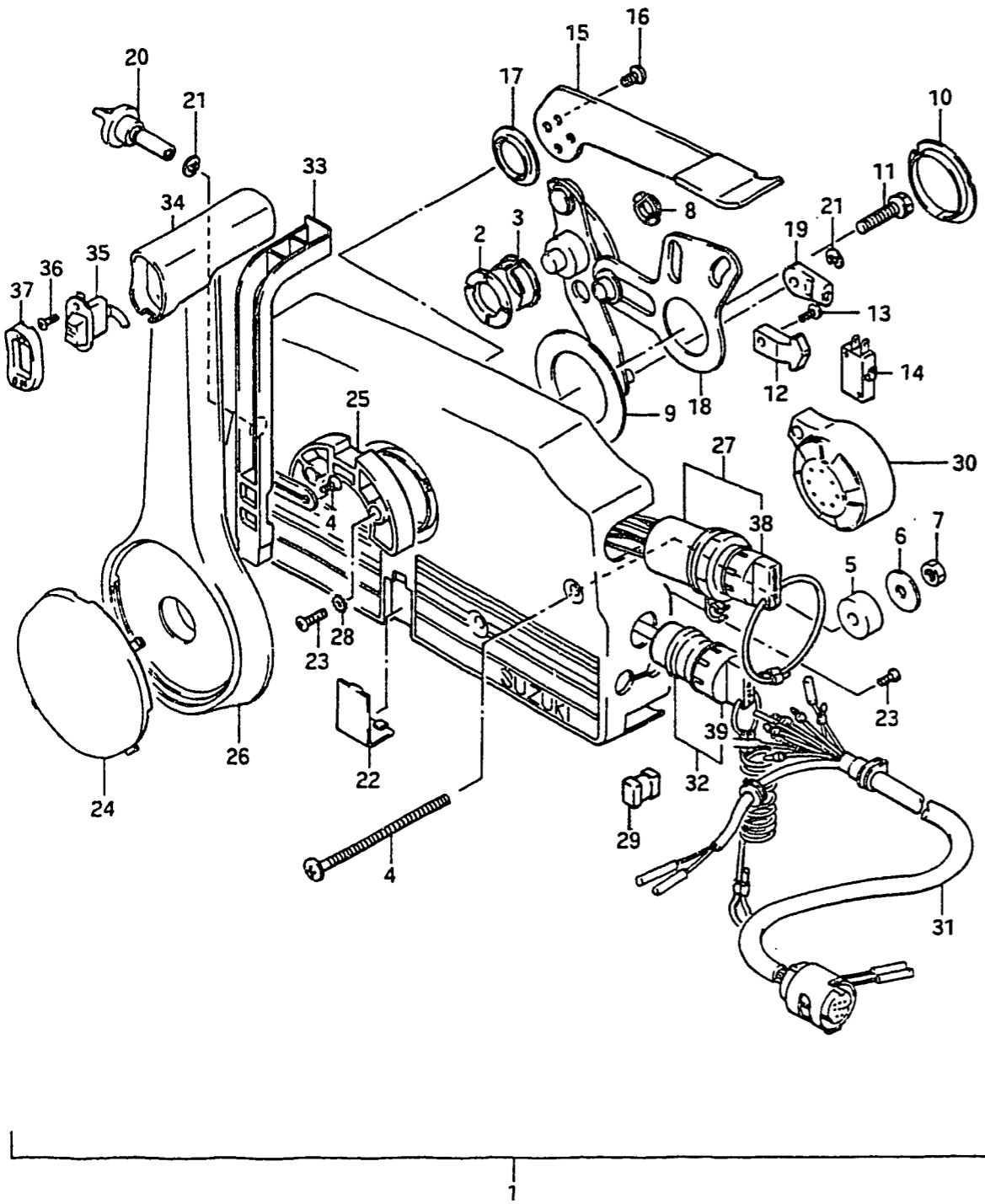
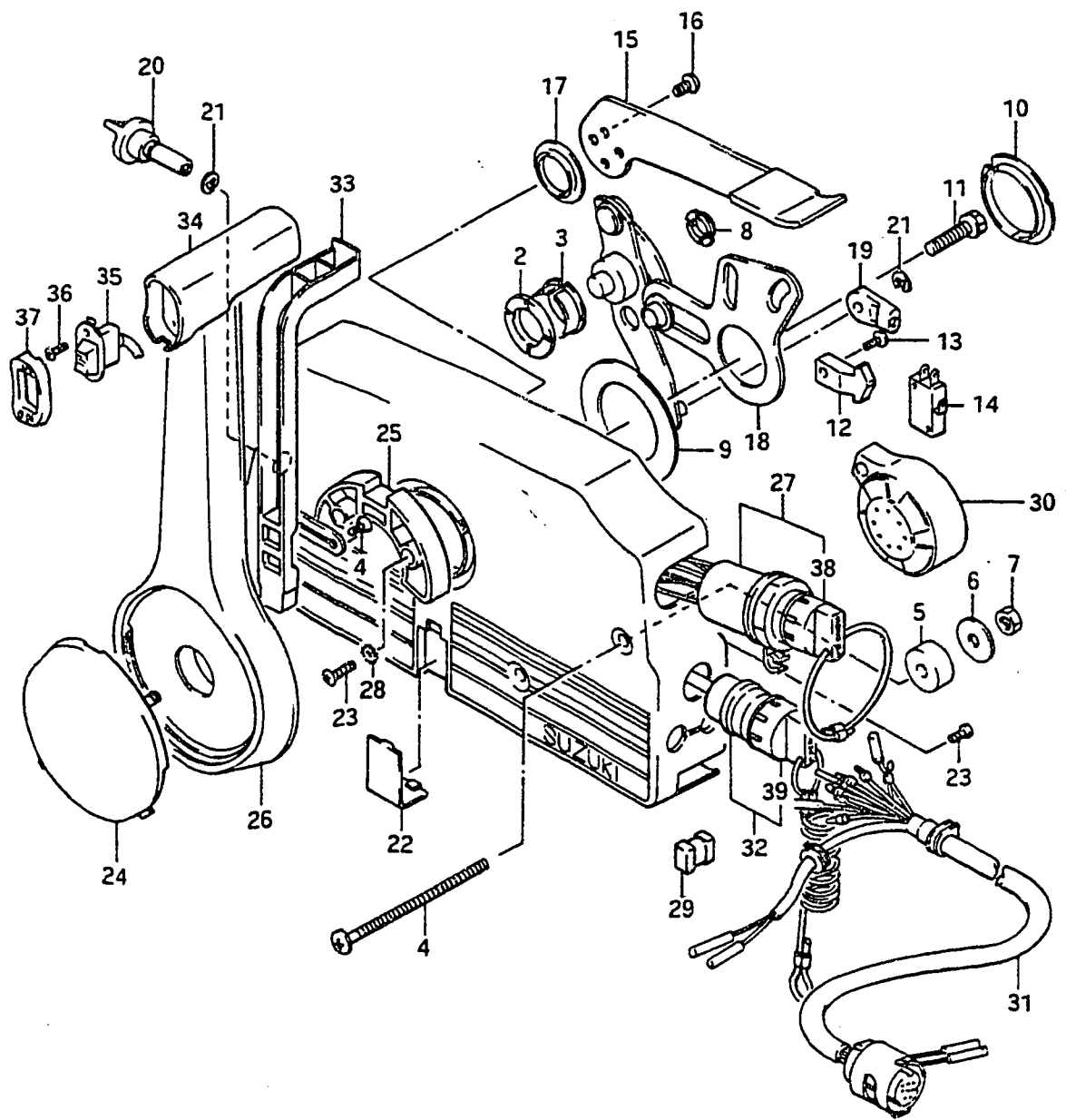


FIG.34 (F- 6) REMOTE CONTROL (3)

Q'TY

REF.NO.	PART NO.	DESCRIPTION	Q'TY	REMARKS
1	67200-95650	REMOTE CONTROL BOX ASSY	1	model VF
2	67232-95600	.BUSH	1	
3	67232-95620	.BUSH	1	
4	67296-95600	.SCREW	3	
5	67294-95600	.SPACER	3	
6	67288-94310	.WASHER	3	
7	09140-06004	.NUT	3	
8	67232-95610	.BUSH	1	
9	67253-95600	.WASHER	1	
10	67252-95600	.BUSH	1	
11	09100-08232	.BOLT	1	
12	67214-95600	.ACTUATOR	1	
13	67296-94300	.SCREW	3	
14	37721-94600	.SWITCH, neutral	1	
15	67241-95650	.LEVER, free throt	1	
16	09126-05003	.SCREW	2	
17	67243-95600	.BUSH	1	
18	67220-95600	.PLATE ASSY	1	
19	67275-95600	.END, cable	2	
20	67223-95600	.KNOB, brake ADJ	1	
21	67292-94300	.E RING	3	
22	67267-95600	.COVER, wire	1	
23	67296-95610	.SCREW	7	
24	67257-95600	.CAP, lever	1	
25	67256-95600	.HOLDER, neut lock	1	
26	67251-95650	.LEVER HANDLE	1	
27	37110-94601	.IGNITION SWITCH	1	
28	67297-95600	.WASHER	2	
29	67273-95600	.SPACER	1	
30	38500-94600	.BUZZER	1	
31	36620-94600	.WIRING HARNESS	1	
32	37820-94402	.SWITCH ASSY, emergency	1	
33	67255-95600	.ARM NEUTRAL LOCK	1	
34	67261-95600	.GRIP	1	

FIG. 34



REF.NO.	PART NO.	DESCRIPTION	Q'TY	REMARKS
35	37860-94600	.SWITCH, trim	1	
36	09139-02003	.SCREW	2	
37	67263-95600	.CAP GRIP	1	
38-1	37141-94400	.KEY (101)	1	One included with 37110-94600
38-2	37141-94410	.KEY (102)	1	
38-3	37141-94420	.KEY (103)	1	
38-4	37141-94430	.KEY (104)	1	
38-5	37141-94440	.KEY (105)	1	
38-6	37141-94450	.KEY (106)	1	
39	37823-94400	.CAP & ROPE	1	Inc. w/37820-94402

FIG. 35

FIG.35 (F- 8) DRAG LINK

Q'TY

REF.NO.	PART NO.	DESCRIPTION	Q'TY	REMARKS
1	67701-94500	DRAG LINK ASSY	1	model QD/VE
2	67721-94500	.SPACER	1	
3	67725-94500	.BOLT	1	
4	67726-94500	.NUT	1	
5	09160-10040	.WASHER	3	
6	67701-94510	DRAG LINK ASSY	1	model VF
7	67721-94510	.SPACER	1	
8	67726-94500	.NUT, lock	2	
9	67728-94500	.WASHER	3	
10	67725-94510	BOLT	1	
11	67727-94510	NUT	1	
12	36632-95501	CLAMP, steering cable seal	1	
13	67721-94510	SPACER	1	OPT
14	67725-94510	BOLT	1	OPT
15	67726-94500	NUT, lock	1	OPT
16	67727-94510	NUT	1	OPT

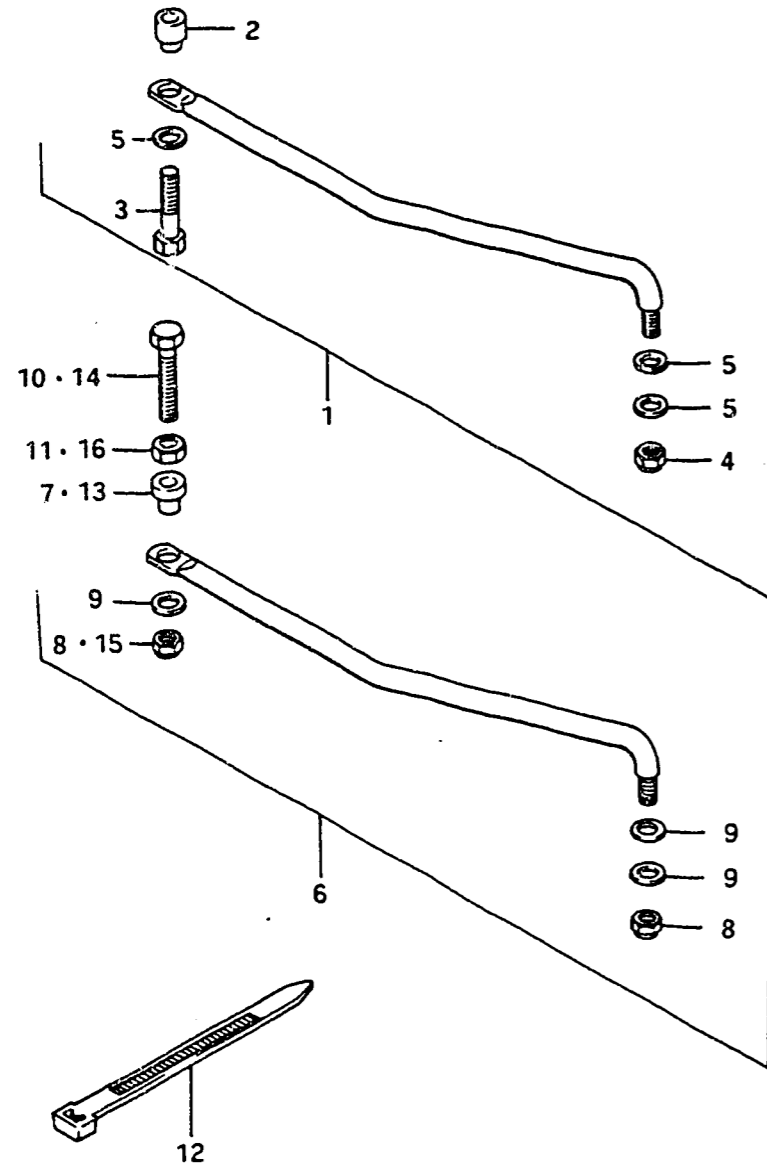


FIG. 36

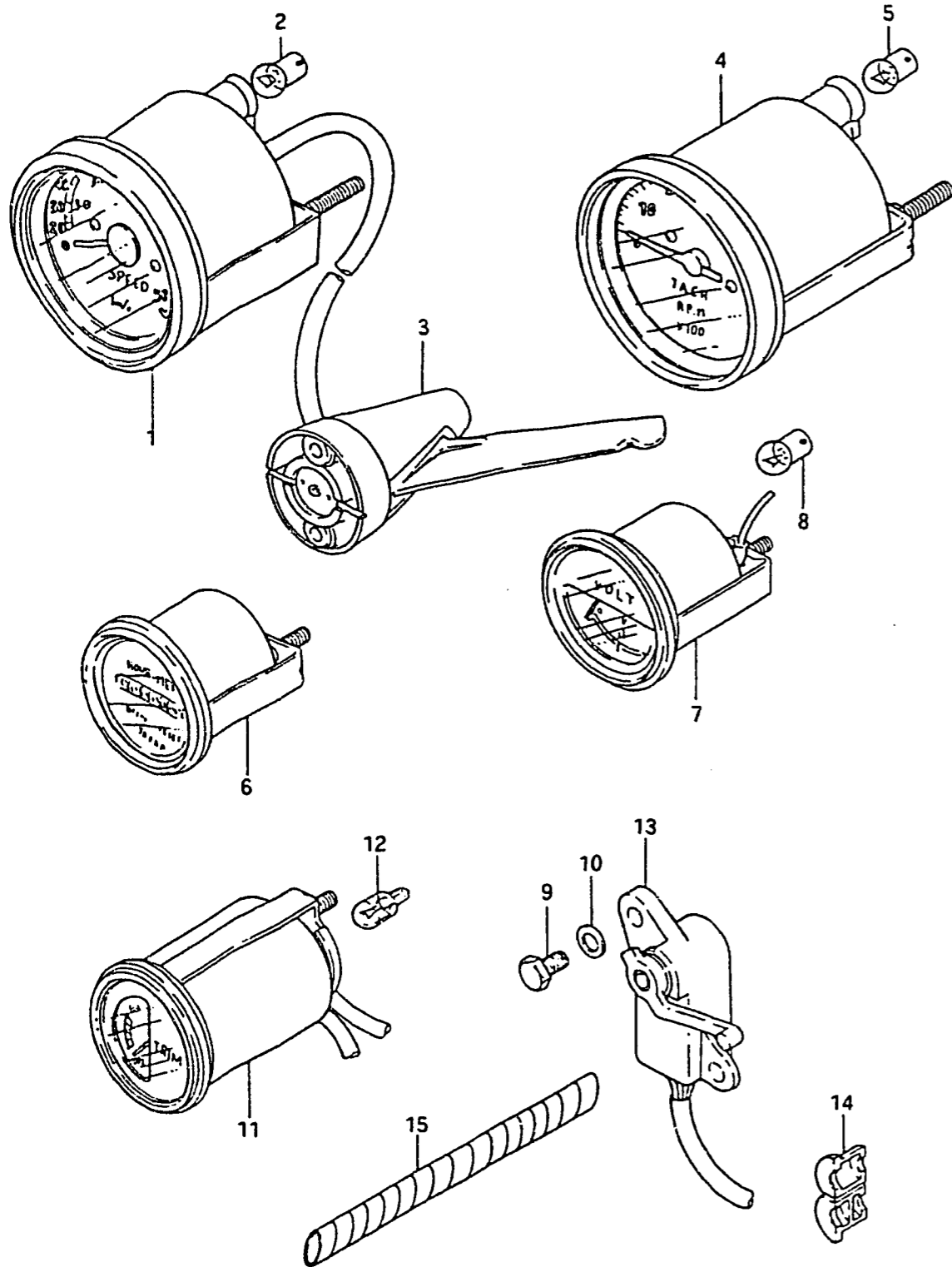


FIG. 36 (F- 9) OPT : METER

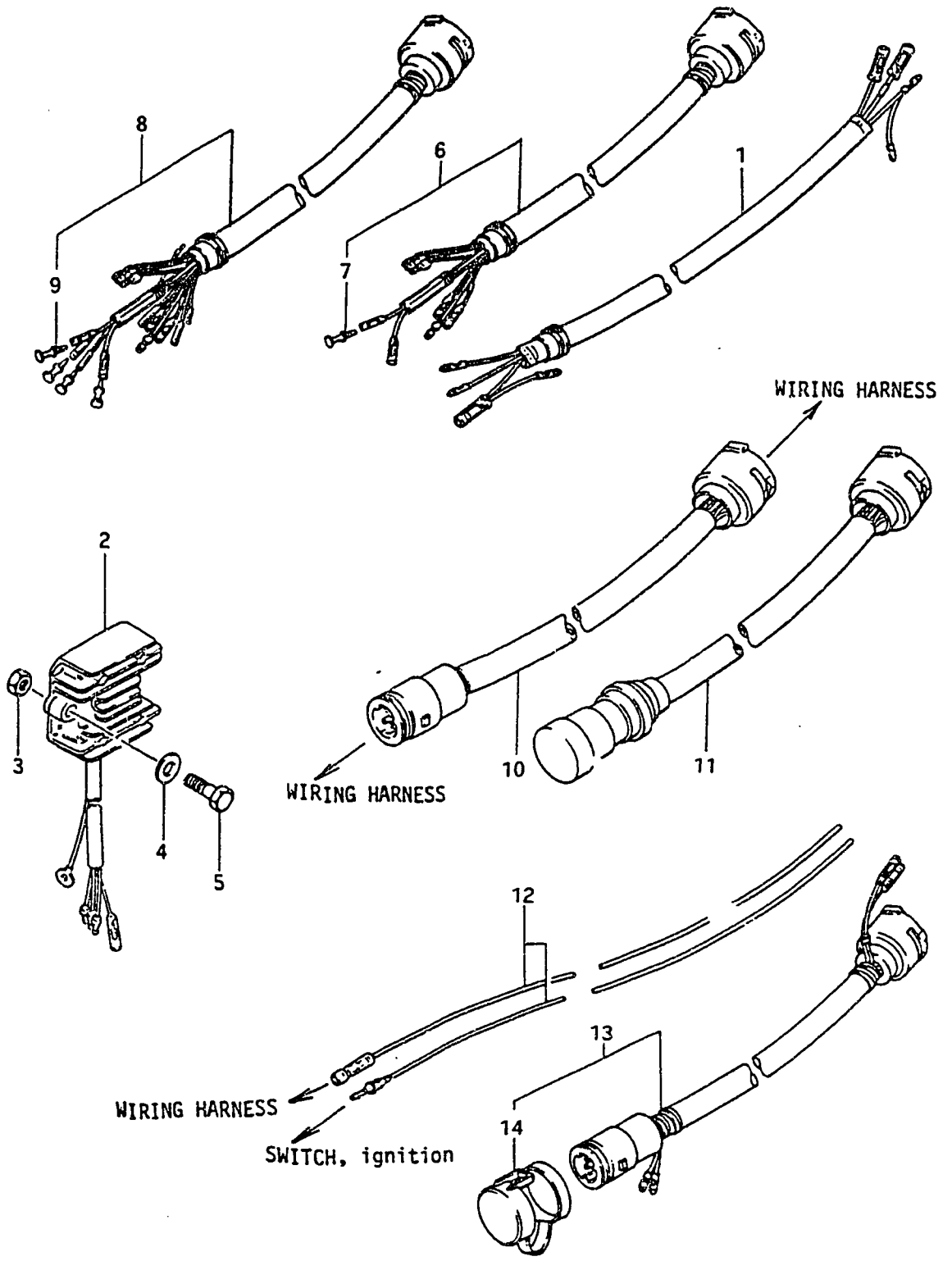
Q'TY

REF.NO.	PART NO.	DESCRIPTION	Q'TY	REMARKS
1-1	34100-95501	SPEEDOMETER ASSY	1	model QD
1-2	34100-95502	SPEEDOMETER ASSY	1	model VF
1-3	34100-94500	SPEEDOMETER ASSY	1	model VE
1-4	34100-94501	SPEEDOMETER ASSY	1	model VF
2	09471-12001	.BULB (12V,3.4W)	1	
3	34190-95500	.SENSOR, speedometer	1	
4-1	34200-95500	TACHOMETER ASSY	1	model QD/VE
4-2	34200-95511	TACHOMETER ASSY	1	model VF
5	09471-12001	.BULB (12V,3.4W)	1	
6-1	34500-95502	HOURLMETER ASSY	1	NIPPON SEIKI
6-2	34500-95510	HOURLMETER ASSY	1	JECO (QUARTZ)
7-1	34600-95502	VOLT METER ASSY	1	model QD/VE
7-2	34600-95503	VOLT METER ASSY	1	model VF
8	09471-12001	.BULB (12V,3.4W)	1	
9-1	09100-06019	BOLT	2	model QD
9-2	09100-06113	BOLT	2	model VE/VF
10	09160-06082	WASHER	2	
11-1	34800-95510	TRIM METER ASSY	1	model QD
11-2	34800-95520	TRIM METER ASSY	1	model VE
11-3	34600-95521	TRIM METER ASSY	1	model VF
12	09471-12077	.BULB (12V,1.7W)	1	
13-1	34801-94510	SENDER, trim	1	model QD
13-2	34801-94520	SENDER, trim	1	model VE/VF
14	34803-94500	GROMMET, lead	1	
15	34863-94300	TUBE, 200	1	model VE/VF

STD

See Accessory Catalog for latest instrument specifications.

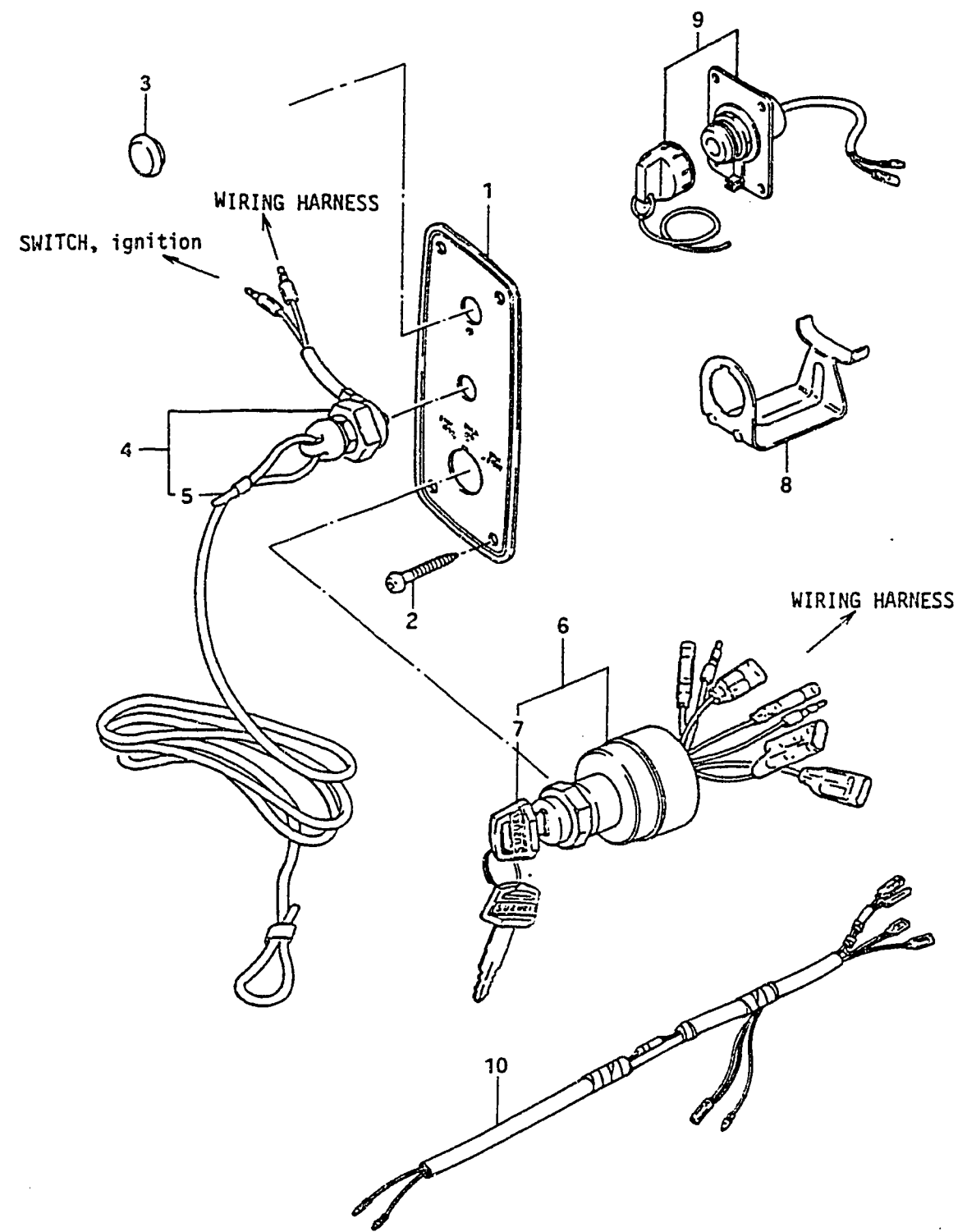
FIG.37



REF.NO.	PART NO.	DESCRIPTION	Q'TY	REMARKS
1	36640-95500	WIRING HARNESS, control	1	L:5000
2	32800-95820	RECTIFIER AND REGULATOR ASSY	1	
3	08310-11067	.NUT	2	
4	08322-21067	.WASHER	2	
5	01107-06257	.BOLT	2	
6	36620-94510	WIRING HARNESS, extension	1	L:5000,model VE
7	36615-96300	.TERMINAL	2	
8	36620-94520	WIRING HARNESS, extension	1	model VF
9	36615-96300	.TERMINAL, resin	4	
10	36620-95202	WIRING HARNESS, extension	1	L:5000
11	36620-95203	WIRING HARNESS, extension	1	L:5000
12	36820-95550	LEAD, neutral switch	1	L:700
13	36620-95320	WIRING HARNESS	1	
14	36631-94300	.CAP	1	

FIG.38

REF.NO.	PART NO.	DESCRIPTION	Q'TY	REMARKS
1	37852-95550	PLATE, toggle switch	1	
2	03112-05129	SCREW	4	
3	37101-93310	CAP	1	
4	37820-95353	SWITCH, emergency	1	
5	37823-95251	.COVER & ROPE	1	
6	37110-94301	SWITCH, ignition	1	
7-1	37141-93300	KEY, spare (8511)	1	
7-2	37141-93310	KEY, spare (8512)	1	
7-3	37141-93320	KEY, spare (8513)	1	
7-4	37141-93330	KEY, spare (8611)	1	
7-5	37141-93340	KEY, spare (8612)	1	
7-6	37141-93350	KEY, spare (8613)	1	
8	37150-93350	HOLDER, rope	1	
9	34108-94500	SWITCH ASSY, meter	1	
10	34109-94500	LEAD, meter extension	1	



See Accessory Catalog for latest accessory information.

FIG. 39

FIG.39 (F-12) OPT : REMOTE CONTROL

REF.NO.	PART NO.	DESCRIPTION	Q'TY	REMARKS
1	67200-95871	REMOTE CONTROL BOX SET, TWIN	1	
2	67300-95810	.HOLDER SET, cable	1	
3	37721-95500	.SWITCH ASSY, neutral	2	
4	02112-03128	.SCREW	4	
5	67214-95200	.KNOB	2	
6-1	67320-95750	CABLE, control L:2500	2	
6-2	67320-95740	CABLE, control L:3000	2	
6-3	67320-95730	CABLE, control L:3500	2	
6-4	67320-95720	CABLE, control L:4000	2	
6-5	67320-95710	CABLE, control L:4500	2	
6-6	67320-95200	CABLE, control L:5000	2	

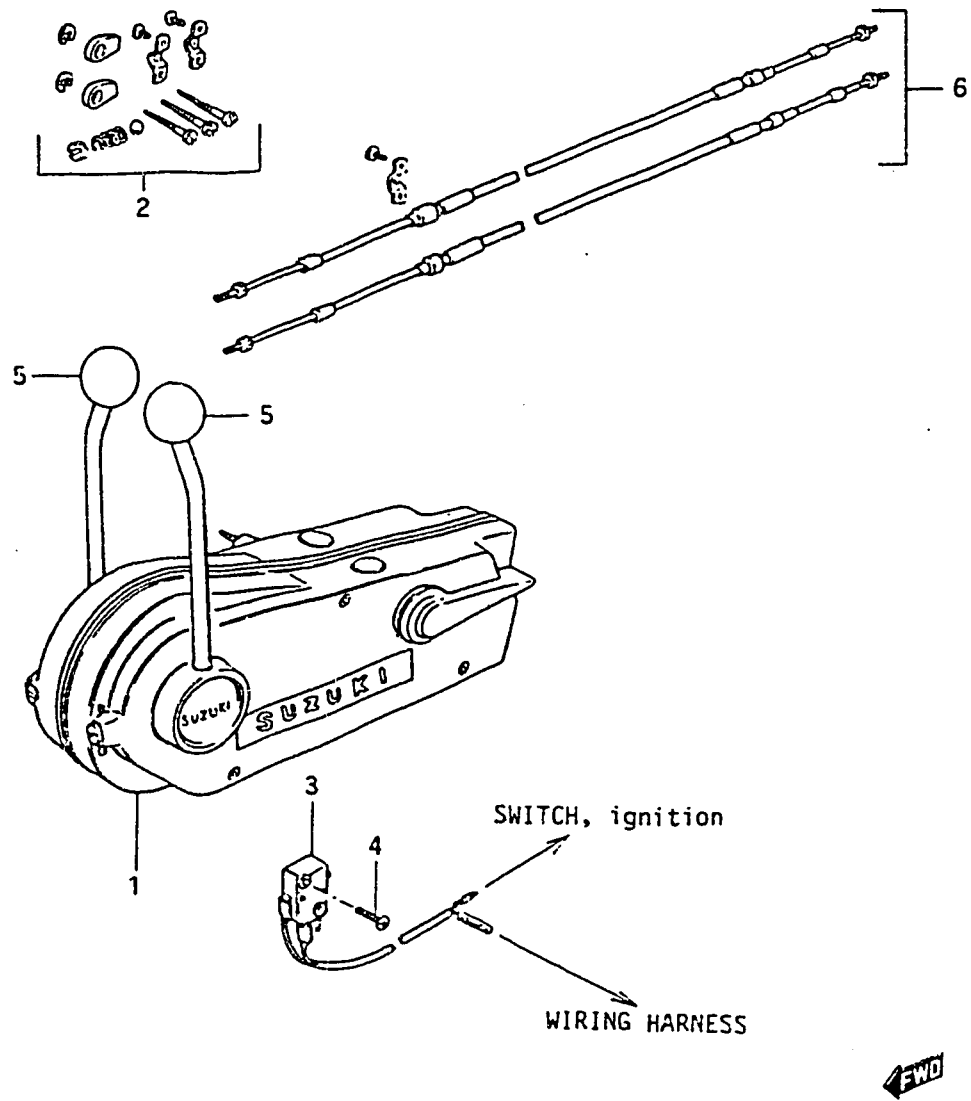


FIG. 40

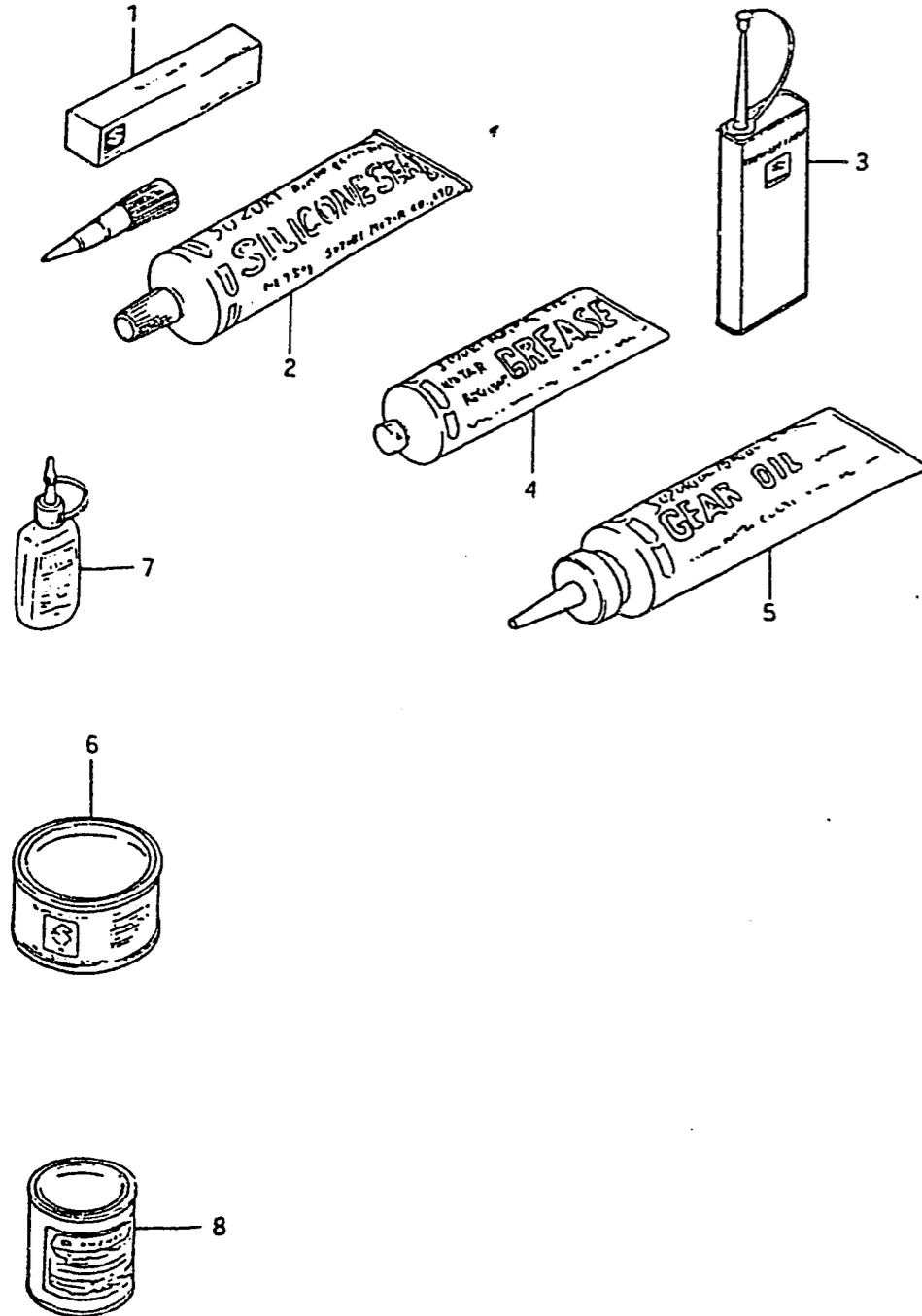


FIG. 40 (F-13) OPTIONAL

REF.NO.	PART NO.	DESCRIPTION	Q'TY	REMARKS
1-1	99000-31010	LIQUID GASKET	1	for crankcase
1-2	99000-31120	SILICONE SEAL	1	50g, for gear case
2	99000-31050	SILICONE SEALANT	1	100g, for gear case
3	99000-32040	CEMENT, thread lock	1	200g
4-1	99000-25160	GREASE, water resistant	1	250g
4-2	99000-25170	GREASE, water resistant	1	50g
5	99000-22540	GEAR OIL, outboard motor	1	400cc
6	99000-25010	SUPER GREASE A	1	450g, for crank oil seal
7-1	99000-32050	THREAD LOCK CEMENT	1	50g (1342)
7-2	99000-32020	THREAD LOCK CEMENT, super	1	50g (1333B)
8-1	99000-10109-01T	PAINT (FRANCOIS WHITE)	1	90g
8-2	99000-10209-02M	PAINT (ARCTIC SILVER)	1	90g